

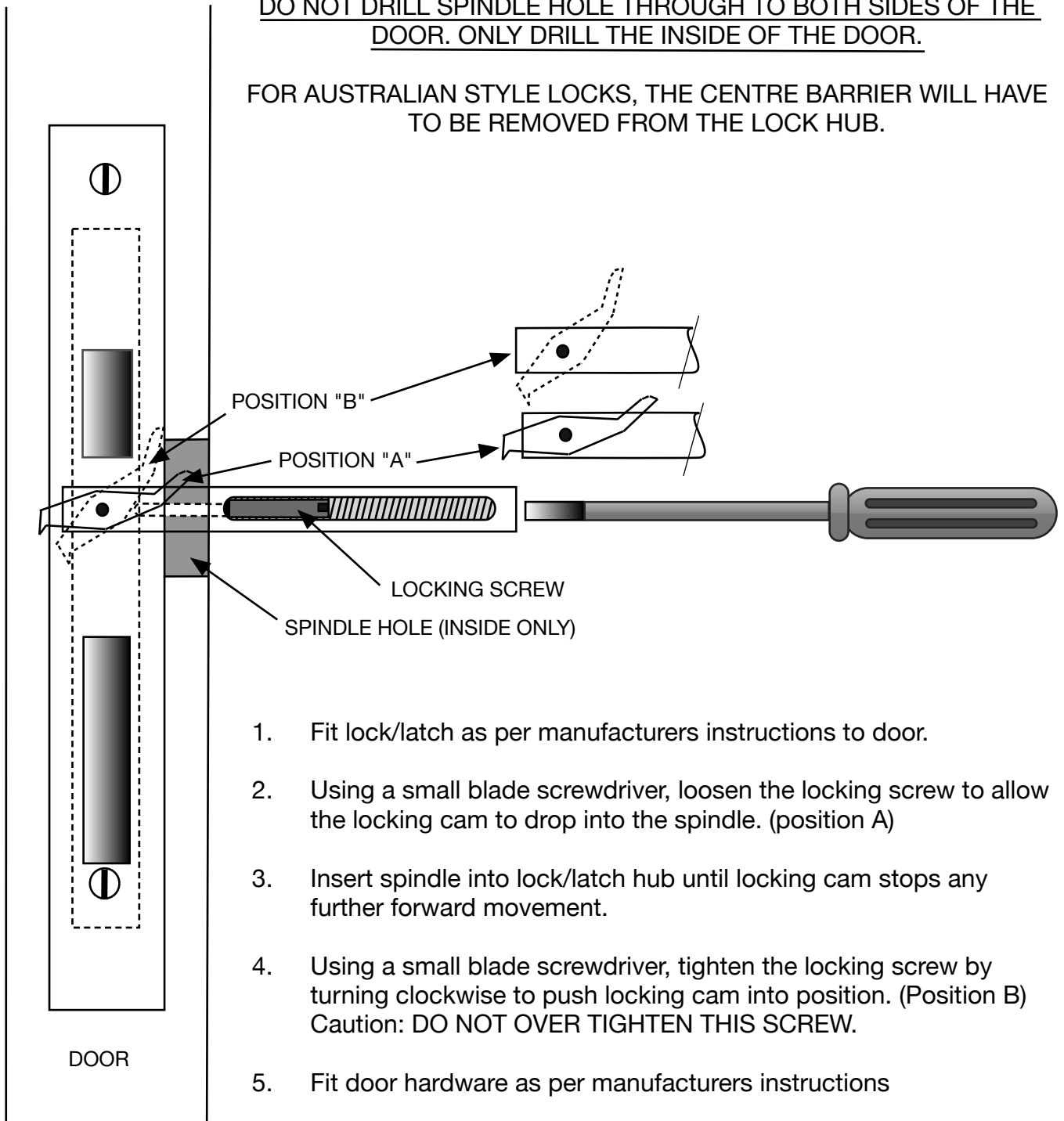
HOOK SPINDLE FITTING INSTRUCTIONS.

USED FOR INSTALLING SINGLE SIDED HANDLE OR SNIB INTO A LOCK OR LATCH

IMPORTANT NOTE:

DO NOT DRILL SPINDLE HOLE THROUGH TO BOTH SIDES OF THE DOOR. ONLY DRILL THE INSIDE OF THE DOOR.

FOR AUSTRALIAN STYLE LOCKS, THE CENTRE BARRIER WILL HAVE TO BE REMOVED FROM THE LOCK HUB.



1. Fit lock/latch as per manufacturers instructions to door.
2. Using a small blade screwdriver, loosen the locking screw to allow the locking cam to drop into the spindle. (position A)
3. Insert spindle into lock/latch hub until locking cam stops any further forward movement.
4. Using a small blade screwdriver, tighten the locking screw by turning clockwise to push locking cam into position. (Position B)
Caution: DO NOT OVER TIGHTEN THIS SCREW.
5. Fit door hardware as per manufacturers instructions