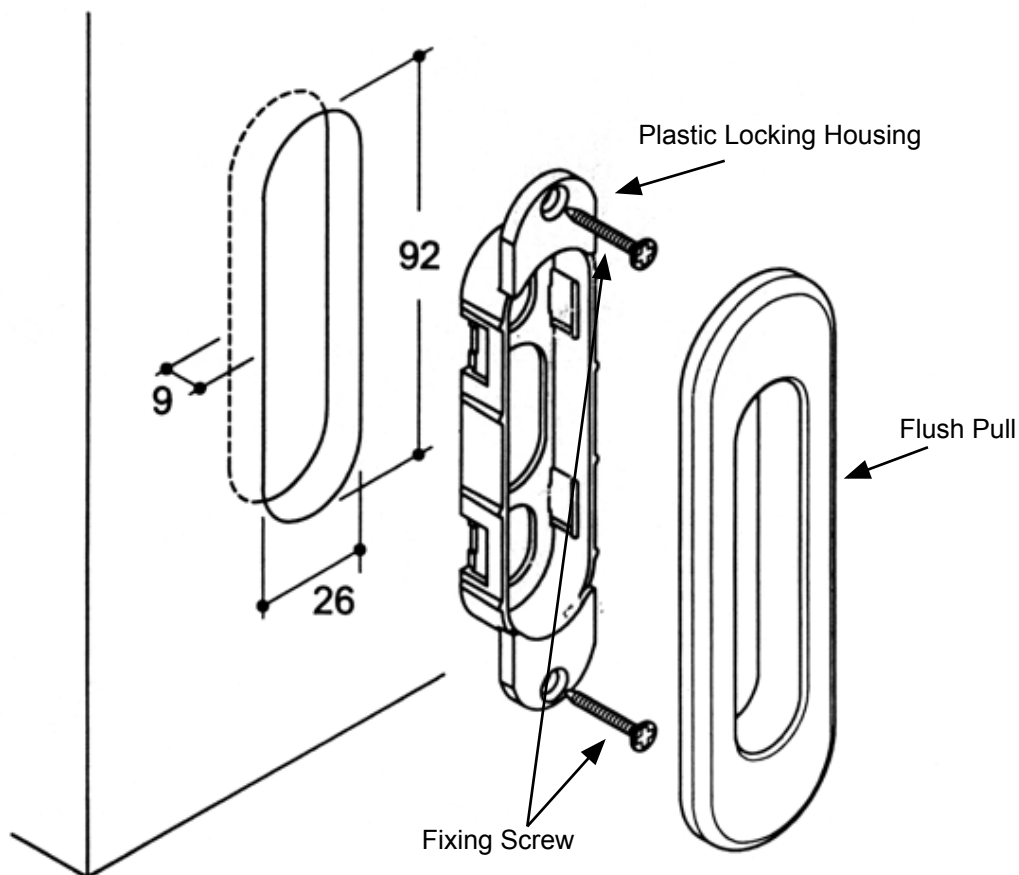


OLIVARI FLUSH PULL FITTING GUIDE

1. Mark position on door face where flush pull is to be located.
2. Carve out recess using the dimensions as per diagram.
3. Fit plastic locking housing using 2 screws provided.
4. Firmly push flush pull into housing.



Suitable for Timber and Aluminum Framed Doors