

SYSTEM M+ | 90 or 180° SWING
Max door weight: 500kg



FRITSJURGENS SYSTEM M+



SYSTEM M /M+ | Recommended for use on single & double action

SYSTEM SPECIFICATIONS based on 70mm top pivot

| | | |
|----------------------|-------------------------------------|----------------------------------|
| Types | FJS/STM70AASSS | |
| | FJS/STM+70AASSS | |
| | FJS/STM+70BSSS | |
| | FJS/STM+70CSSS | see page 28 for ordering codes |
| | FJS/STM+70DSSS | |
| | FJS/STM+70ESSS | FJS/STM+70FSSS FJS/STM+70GSSS |
| Dimensions | M32+ 294,8 x 32 x 99,6 mm | M42+ 308,2 x 42 x 112,7 mm |
| Weight | 2,6 KG | 3,6 KG |
| Material | Stainless steel Anodized aluminum | |
| Corrosion resistance | EN 1670 - class 5 (norm:o-5) | |

DOOR SPECIFICATIONS

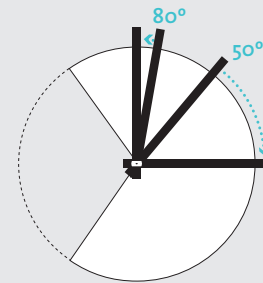
| | | |
|---------------------|------------------------------------------------------------------------------------|------------------|
| Door acting | Double-action 180° rotation | |
| | Single-action 90° rotation with door frames* *Due to Latch Control (see page 10) | |
| Hold positioning | Hold positions 90°, -90° and 0° | |
| Weight capacity | 20-500 KG (max bearing capacity of 500kg) | |
| Door width | 400 - 5000 mm | |
| Door height | Unlimited | |
| Pivot point | Min. 70mm from pivot point to short side | |
| Min. door thickness | M32+ 40 mm (A-E) | M42+ 50 mm (F&G) |
| | M32AA 40 mm | |

DOOR MOVEMENT

| | | |
|-------------------------------------------------------------------------------|------------------------------------------------------------------------------------------------------|--|
| Door movement | Self-closing from 125° and -125° to 0° | |
| | Damper Control -Back-check for damping on opening,soft-close. | |
| | 30° Speed Control -Adjustable closing speed in last part of closing. | |
| | Latch Control -Accelerates the door shortly before closed position to ensure proper latching. | |
| <i>All controls can be individually adjusted from the bottom of the door.</i> | | |

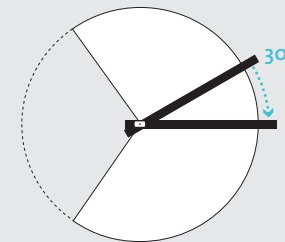
FLOWMOTION®

DAMPER CONTROL (M & M+)



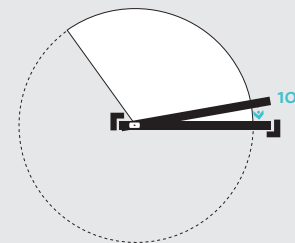
Damper Control has two functions. The hydraulic back-check protects the pivot door against touching the wall by providing adjustable resistance as the door approaches the 80° position. The closing damping makes the door close smoothly.

30° SPEED CONTROL (M+)



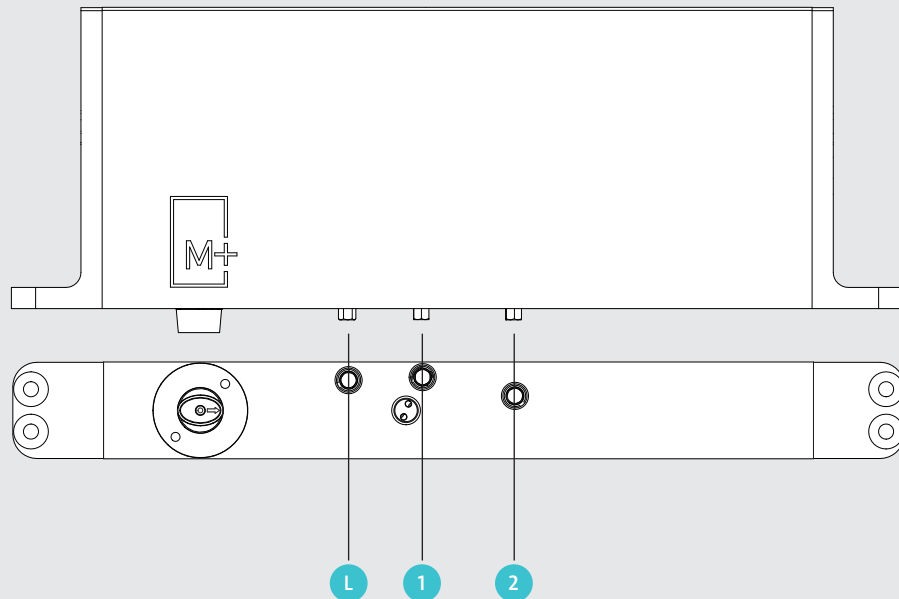
30° Speed Control allows you to fine-tune the speed of the pivot door through the last 30° of the closing movement.

LATCH CONTROL (M+ only)



Latch Control provides the ability to adjust the closing speed to latch the door properly. Latch Control enables the door to accelerate in the last 10° to ensure proper latching of the door.

SYSTEM M+ ADJUSTMENT POINTS WITH FLOWMOTION®



- 1
Damper Control Ensures a smooth and elegant closing movement and protects your door from touching the wall (back-check).
- 2
30° Speed Control Allows you to determine the speed of the pivot door through the last part of the closing movement.
- L
Latch Control Accelerates the door shortly before closed position to ensure proper latching.

SYSTEM M+ COMPONENTS

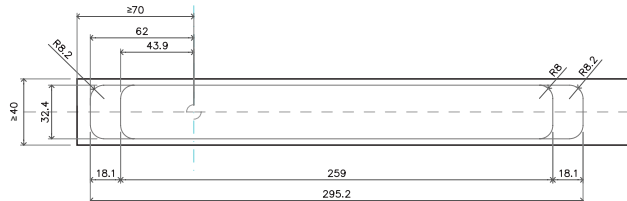
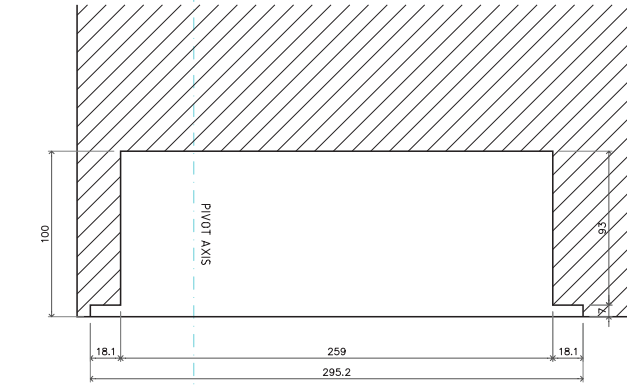
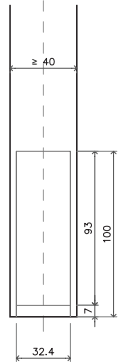
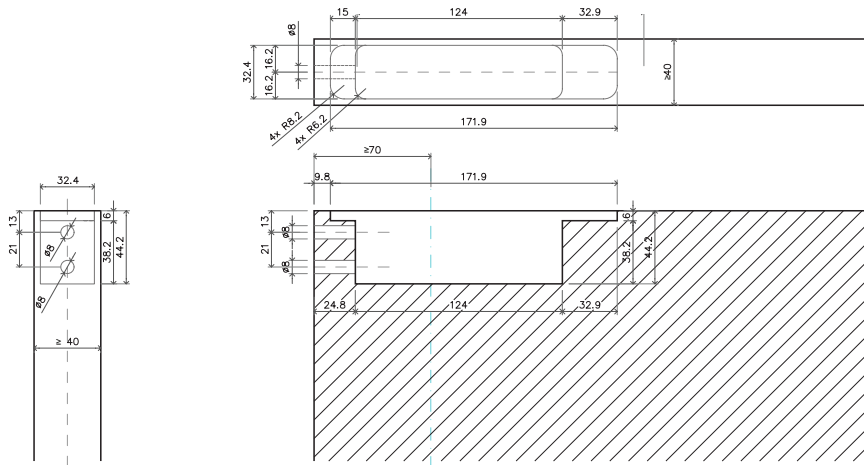
SYSTEM M+ 70mm

SYSTEM M+ 40mm

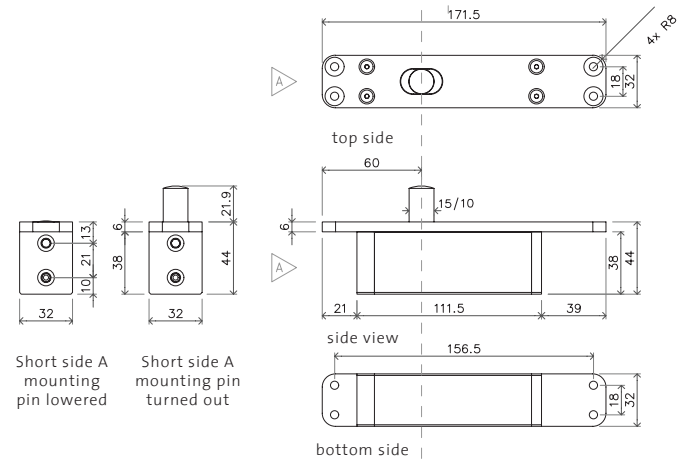


- 1. Ceiling plate
- 2. 40 or 70 mm top pivot
- 3. System M+
- 4. Standard square floor plate

MILLING FOR SYSTEM M70 AA / M+ - A TO E

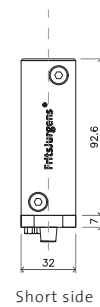


COMPONENTS FOR SYSTEM M70 AA / M+ - A TO E

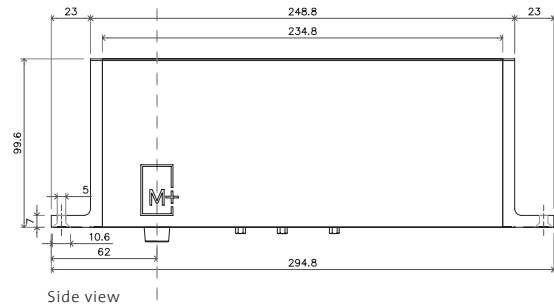


Top Pivot 70 mm - Class B or G

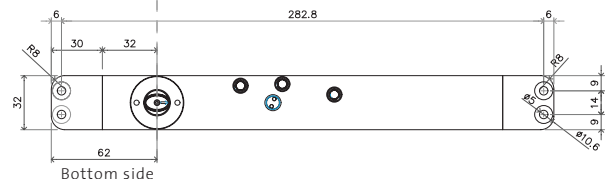
Class B AA, +A, +B
Class G +C - G & System One



Short side



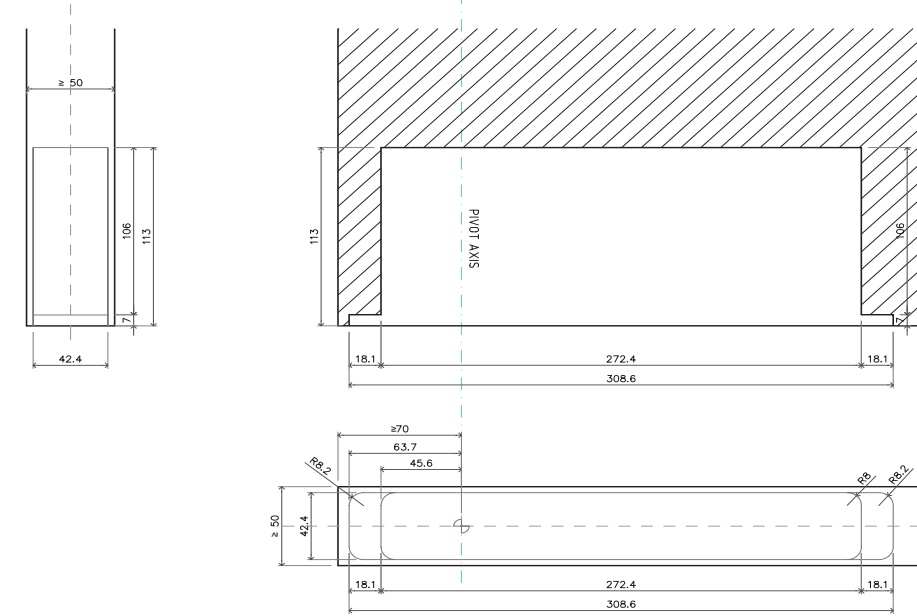
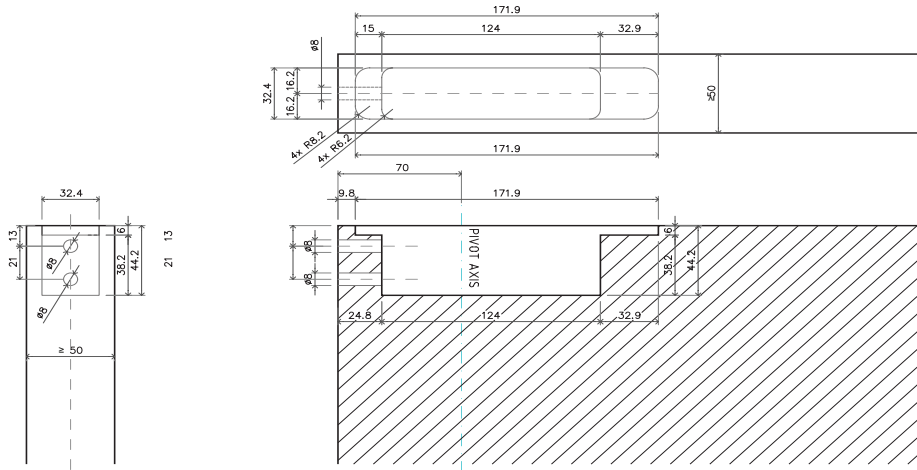
Side view



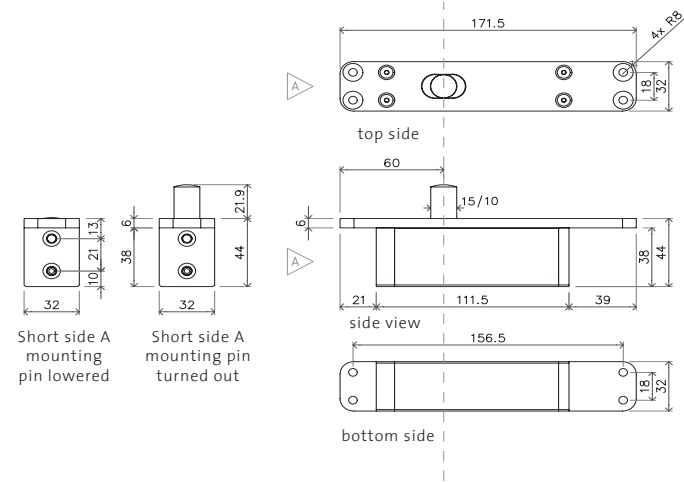
Bottom side

System M+/M 70 mm - Class AA to E

MILLING SYSTEM M+ 70 F & G

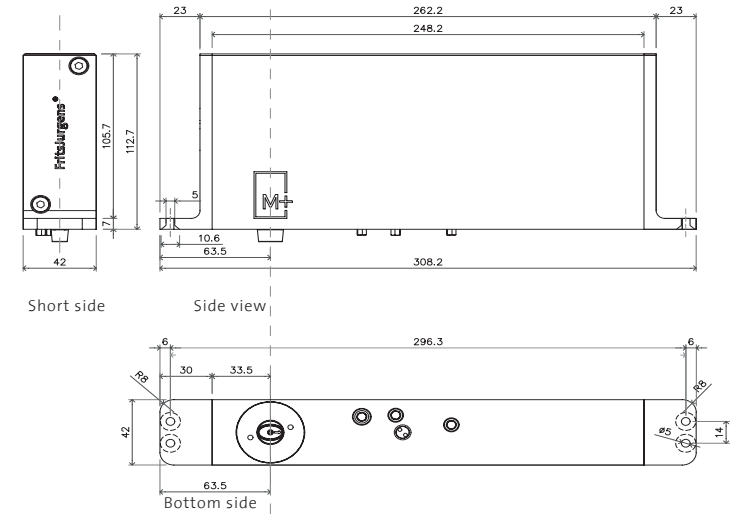


COMPONENTS SYSTEM M+ 70 F & G

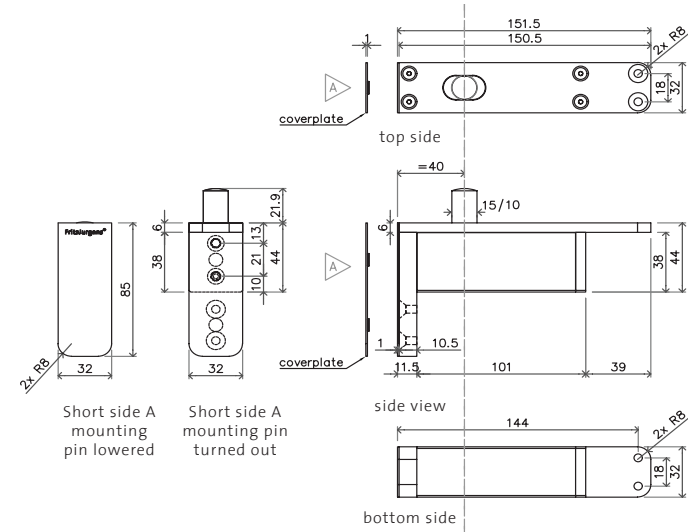
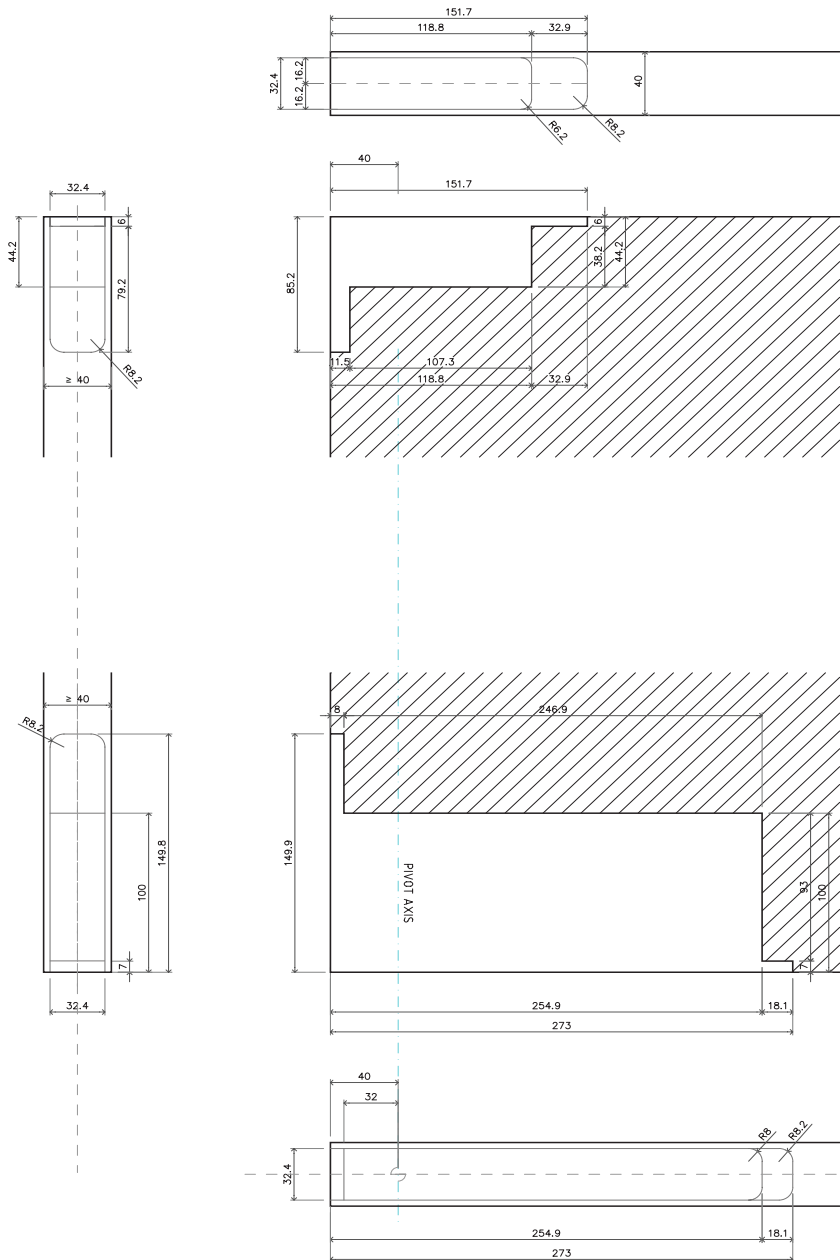


Top Pivot 70 mm - Class B or G

Class B AA, +A, +B
Class G +C - G & System One

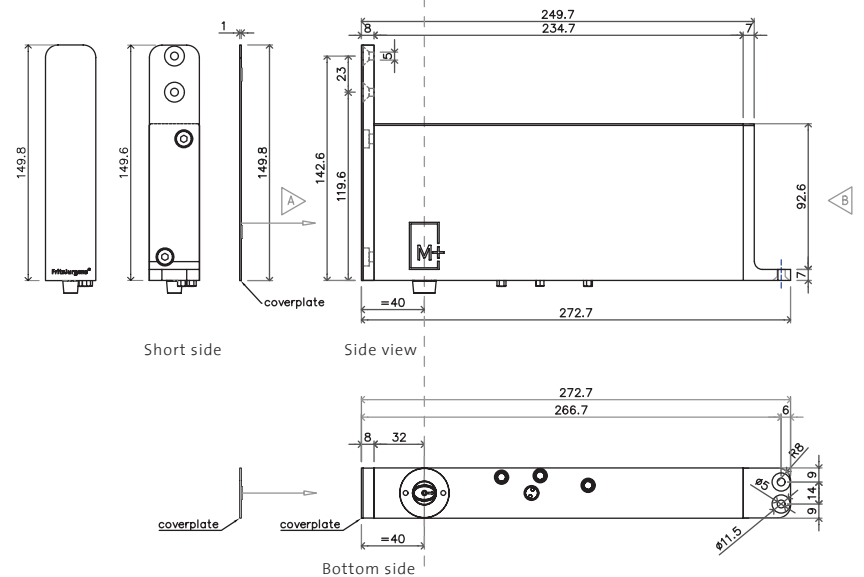


System M+ 70 mm - Class F and G



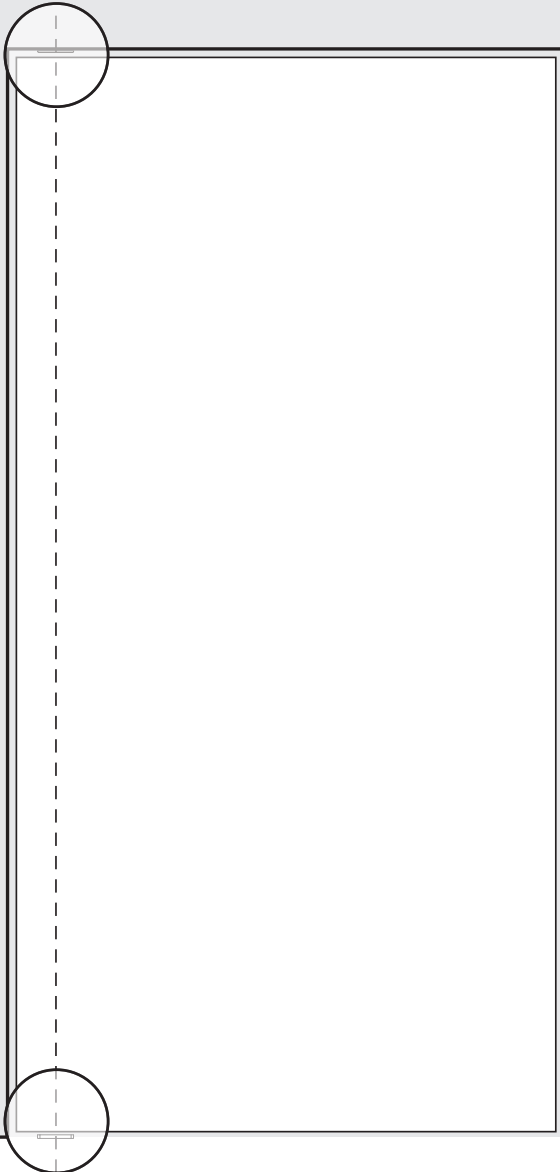
Top Pivot 40 mm - Class B or G

Class B AA, +A, +B
Class G +C - G & System One



System M+/M 40 mm - Class AA to E

DESIGN OPTIONS SYSTEM M / M+



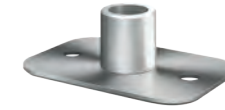
Square adjustable floor plate
(FJVP8040MSS) Stainless steel
(Series 420) 80 x 40 x 9 mm



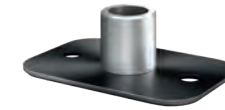
Square adjustable floor plate
(FJVP8040MBLK) PVD black
80 x 40 x 9 mm



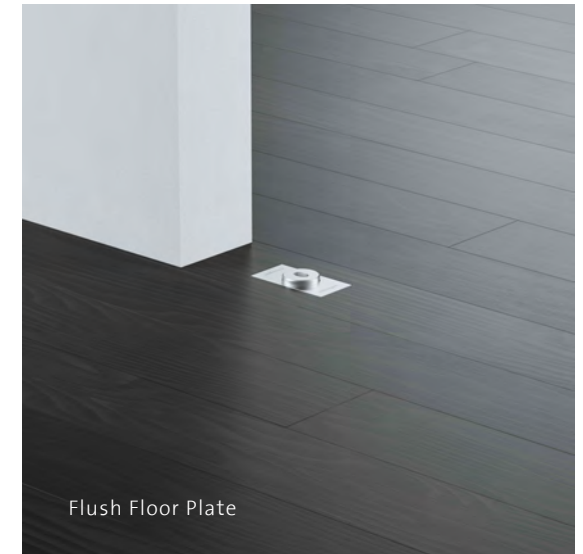
Flush square floor plate
(FJVP8040MSS/FLSQ)
Stainless steel (Series 420)
80 x 40 x 6/11 mm



Ceiling plate (FJS/CPXXBSSS - B class)
Ceiling plate (FJS/CPXXGSSS - G class)
Stainless steel (Series 420)
60 x 40 x 17 mm



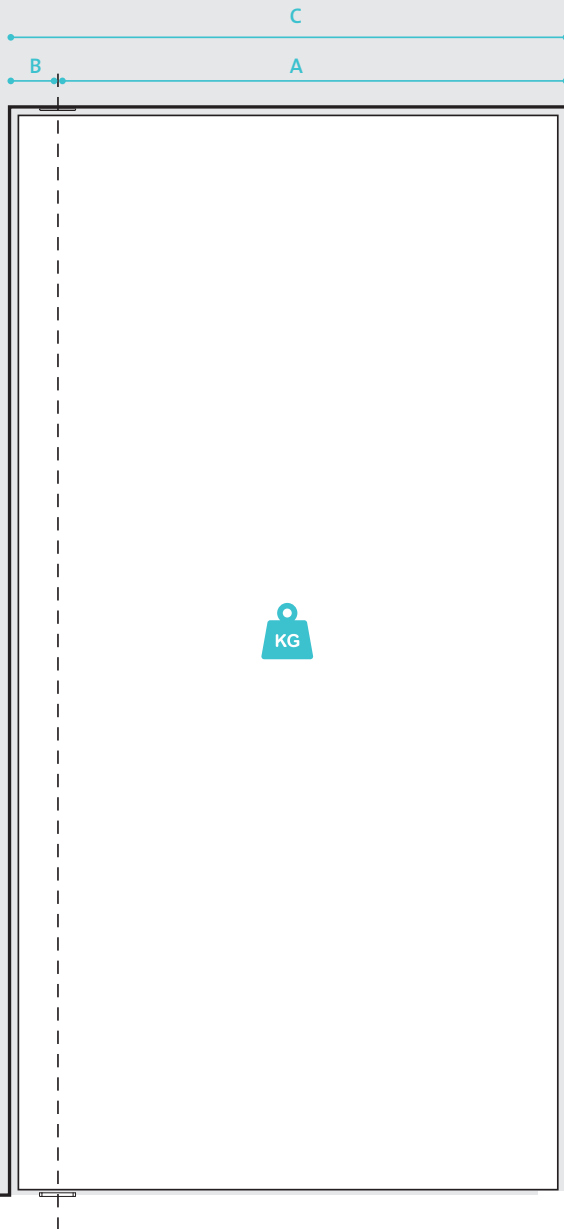
Ceiling plate (FJS/CPXXBSBK - B class)
Ceiling plate (FJS/CPXXGSBK - G class)
Stainless steel (Series 420)
60 x 40 x 17 mm



Flush Floor Plate

The floor plate is available in two finishes: brushed stainless steel (Series 420) and PVD black. Choose between a flush or a standard version. The floor plates by FritsJurgens are made of solid tempered steel and therefore fully scratch resistant. The ceiling plate is available in brushed stainless steel and black as well and can be obtained in the rectangular version only.

SYSTEM M/ M+ MODEL SELECTOR



To ensure the pivot system provides the appropriate movement for your door, System M/M+ is available in eight models to suited to the weight and width of the door to ensure the door closes everytime. There are no height limits on the door.

System M/M+ is suitable for pivot doors covering a weight range between 20 and 500kg (subject to the width and weight chart for guaranteed closing). The systems are suitable for single and double action doors, When combined with the door frames, the latch control ensures that the door closes properly.

Fully concealed, the minimum pivot point is 70mm from the edge of the door, this is movable to the midpoint of the door. To maximise opening space for narrow doors, you can use a 40mm fixed pivot point version. This unit is visible on the edge of the door (top & bottom) when the door is open.

EXAMPLE

Use the model selector charts on the following pages:

Door specifications: Width: 1600mm, height 3200mm, weight 165kg.

The distance between the pivot point and the side of the door is 70mm

1. Determine the distance of pivot point to the latch side of the door:

$$C \text{ minus } B = A: 1530 \text{ mm}$$

2. Check the door width

$$C = 1600 \text{ mm}$$

3. Fill in the weight

$$KG = 165 \text{ kg}$$

The following system suits this door:

FJS/STM+70DSSS

Does your pivot door have other measurements than shown here? Please do not hesitate to contact us. FritsJurgens has an on-site testing facility which enables us to determine whether our systems are suitable for your specific situation.

70mm Pivot point specification codes



Kit supplied with
standard floor plate

Kit finish: Satin stainless steel

Kit finish: Black

FJS/STM70AASSS
FJS/STM+70ASSS
FJS/STM+70BSSS
FJS/STM+70CSSS
FJS/STM+70DSSS
FJS/STM+70ESSS
FJS/STM+70FSSS
FJS/STM+70GSSS

FJS/STM70AASBK
FJS/STM+70ASBK
FJS/STM+70BSBK
FJS/STM+70CSBK
FJS/STM+70DSBK
FJS/STM+70ESBK
FJS/STM+70FSBK
FJS/STM+70GSBK



Kit supplied with
flush floor plate

Kit finish: Satin stainless steel

Kit finish: Black

FJS/STM70AAFSSS
FJS/STM+70AFSSS
FJS/STM+70BFSSS
FJS/STM+70CFSSS
FJS/STM+70DFSSS
FJS/STM+70EFSSS
FJS/STM+70FFSSS
FJS/STM+70GFSSS

FJS/STM70AAFSBK
FJS/STM+70AFSBK
FJS/STM+70BFSBK
FJS/STM+70CFSBK
FJS/STM+70DFSBK
FJS/STM+70EFSBK
FJS/STM+70FFSBK
FJS/STM+70GFSBK



40mm Pivot point specification codes



Kit supplied with
standard floor plate

Kit finish: Satin stainless steel

Kit finish: Black

FJS/STM40AASSS
FJS/STM+40ASSS
FJS/STM+40BSSS
FJS/STM+40CSSS
FJS/STM+40DSSS
FJS/STM+40ESSS
FJS/STM+40FSSS
FJS/STM+40GSSS

FJS/STM40AASBK
FJS/STM+40ASBK
FJS/STM+40BSBK
FJS/STM+40CSBK
FJS/STM+40DSBK
FJS/STM+40ESBK
FJS/STM+40FSBK
FJS/STM+40GSBK



Kit supplied with
flush floor plate

Kit finish: Satin stainless steel

Kit finish: Black

FJS/STM40AAFSSS
FJS/STM+40AFSSS
FJS/STM+40BFSSS
FJS/STM+40CFSSS
FJS/STM+40DFSSS
FJS/STM+40EFSSS
FJS/STM+40FFSSS
FJS/STM+40GFSSS

FJS/STM40AAFSBK
FJS/STM+40AFSBK
FJS/STM+40BFSBK
FJS/STM+40CFSBK
FJS/STM+40DFSBK
FJS/STM+40EFSBK
FJS/STM+40FFSBK
FJS/STM+40GFSBK

