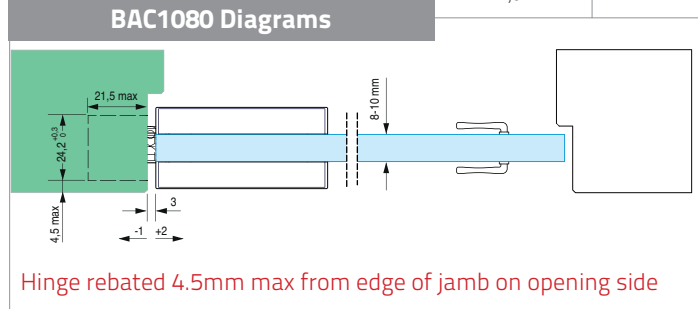
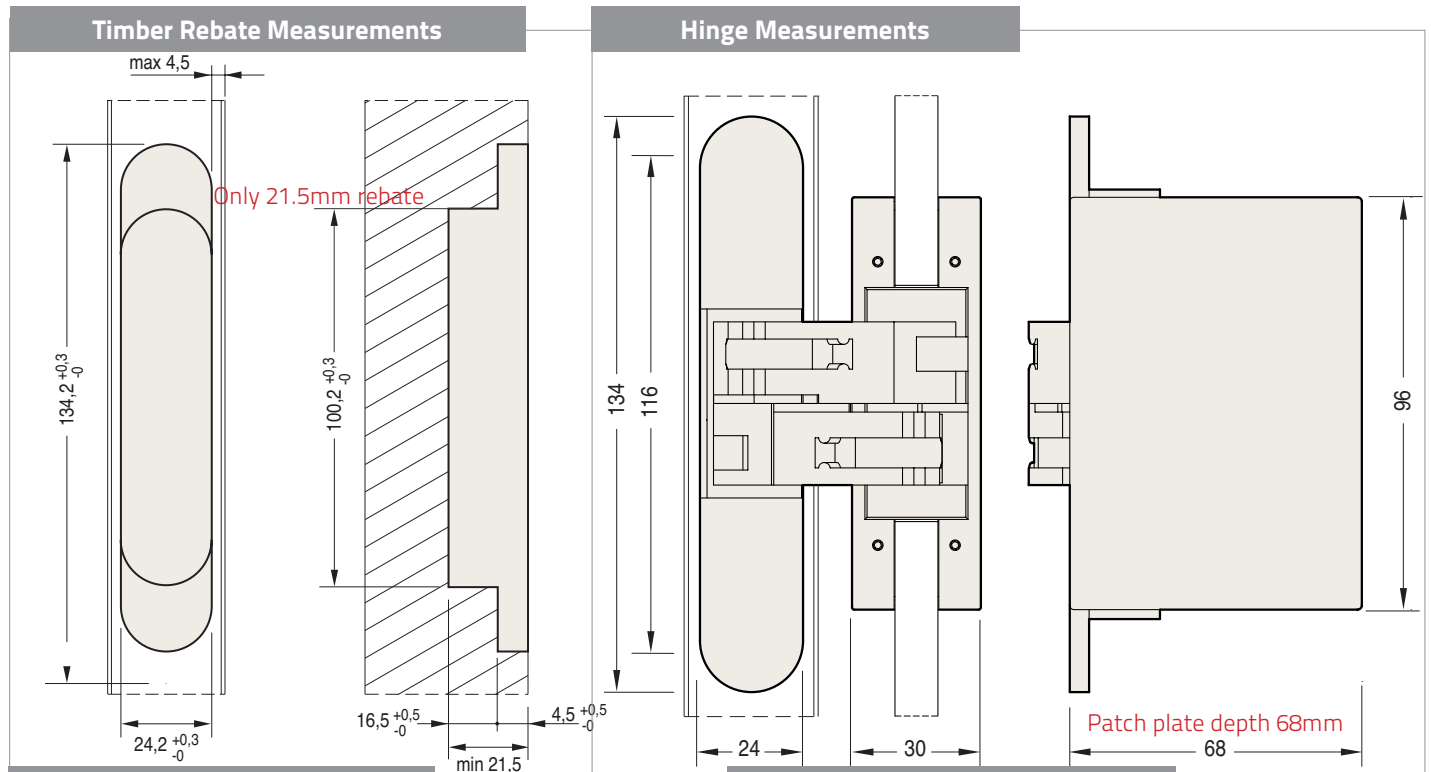
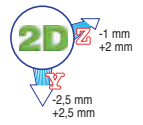
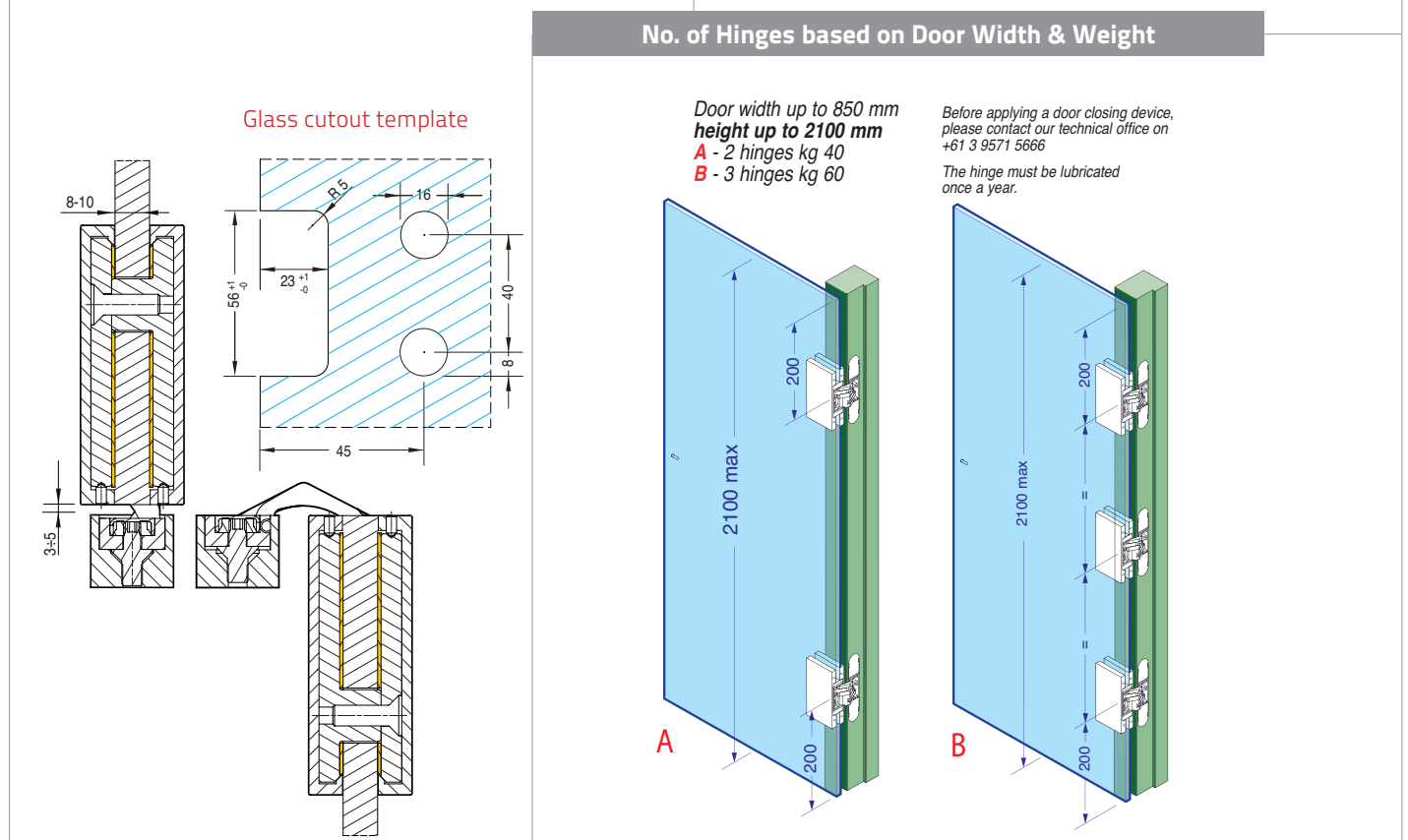


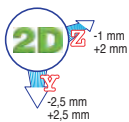
2D Concealed BAC1080 Glass Technical Data

Y & Z Adjustable: Max 60kg Glass Door



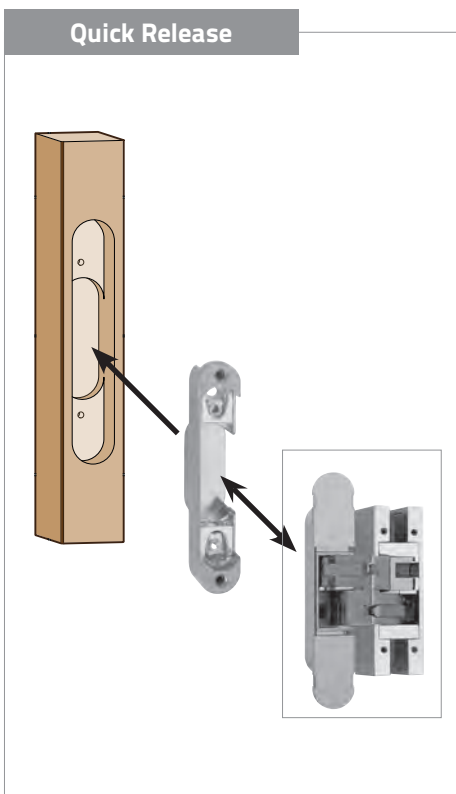
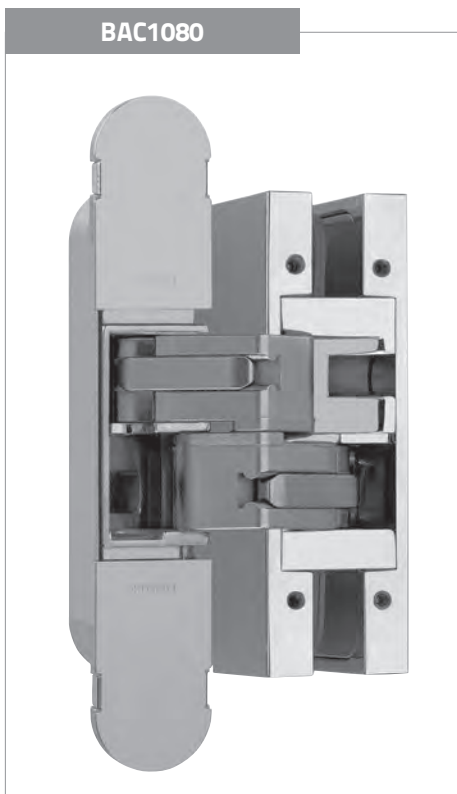
- ### BAC1080 Quick Facts
- 2D adjustable Glass Hinge
 - CEAM quick release system
 - Available in multiple finishes
 - Suitable for glass 8-10mm thick
 - 100% Made in Italy for over 50 years
 - Suitable for high frequency opening doors
 - Jig & router template available for easy of installation
 - Suitable for internal & external (under cover) locations
 - Suitable for residential, commercial & industrial locations
- Note: if being used with a door closer see page 40.





2D Concealed BAC1080 Glass Functional Data

Y & Z Adjustable: Max 60kg Glass Door



Model for Glass Doors

Specifically designed to butt *glass doors* up against a wall or jamb, the BAC1080 2D adjustable concealed patch plate hinge is rated to hold a 8-10mm thick 60kg glass door. It's revolutionary in it's design by combining a patch plate and invisible hinge together.

Not only can you adjust the position of the glass door in 2 dimensions (up down & left, right) but you can also take the door down without having to remove the hinge from its rebated housing in the jamb or wall.

Patch plate to wall... clean and sophisticated

Rated to carry an 8-10mm thick 60kg glass door to 90° or 180° opening, the hinge is extremely versatile and reliable. Tested to

200,000 opening and closing cycles. Cost effective and highly functional, it is a real and effective alternative to traditional and unsightly glass door hinges and pivot systems.

Quick release: CEAM's quick release system is revolutionary - once installed, you never need touch the jamb again.

The hinge sits within a cup, the cup is rebated into jamb or directly into the wall, the hinge is then fastened to the cup. As a result, if the door needs to come down, all you do is unscrew the locking bolts and remove the hinge from the cup.

The door can be removed and reinstalled for painting and adjustments without

damaging the walls render, timber or paint work, saving time and money.

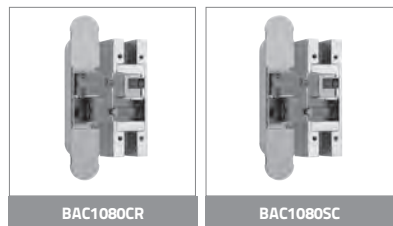
Door movement: Over time, this can be an expensive problem to fix. Not with the BAC1080 2D adjustable hinge; it specifically caters for door movement.

Once movement occurs, a door may not close properly or rub the paintwork. To fix, the door needs to come down and then the door jamb needs to be planed and repainted; a costly and time consuming effort. Not any more.

Using the BAC1080, simply adjust the position of the door via the settings within the hinge. This adjustment is done without the door coming down.

BAC1080 Quick Facts

Min. glass thickness	8 -10mm
Min. Jamb thickness	30mm
Max. door weight	60kg (subject to door size & weight)
Narrow rebate	21.5mm
Gap when closed	3mm
Working aperture	180°
Manufacturing location	100% Made in Italy
Reliability	Certified to over 200,000 cycles
Adjustable	2D adjustment on 2 (Y, Z) axes
Quick Release	CEAM quick release system, never need to touch the jamb again



BAC1080 Order Codes	
BAC1080CR	Polished Chrome
BAC1080SC	Satin Chrome
BACJIG-BACT1080	Jig & hinge template (rent or buy) pg.45-47