

# BELLEVUE

ARCHITECTURAL

## No-Ha Range of Invisible Handles by Joakim of Belgium

The latest in European design and innovation

## About Joakim

### Opening doors, cabinets and drawers

Joakim Products are an innovative Belgian company working in the field of the design and marketing of door hardware for interior doors, cupboards and cabinets.

*"To lie on the grass on sunny days and fantasize about products that don't yet exist, but may be useful.  
To think about new solutions and develop innovative technical ideas on cold winter evenings.  
To integrate these solutions into products with a contemporary design on other days."*



## Magnetic Handle-Free Latches

**BL004** - Magnetic handle-free passage latch

Pg. 4 - 5

**BL005** - Magnetic handle-free privacy latch

Pg. 4 - 5

## Concealed Flush Pulls for Sliding Doors, Cupboard Doors & Drawers

**BINS105** - Single sided concealed sliding flush pull

Pg. 6 - 7

**BINS200** - Back to back concealed sliding flush pull 38 - 42mm

Pg. 6 - 7

**BINS205** - Back to back concealed sliding flush pull 43 - 47mm

Pg. 6 - 7

**BINS210** - Back to back concealed sliding flush pull 48 - 45mm

Pg. 6 - 7

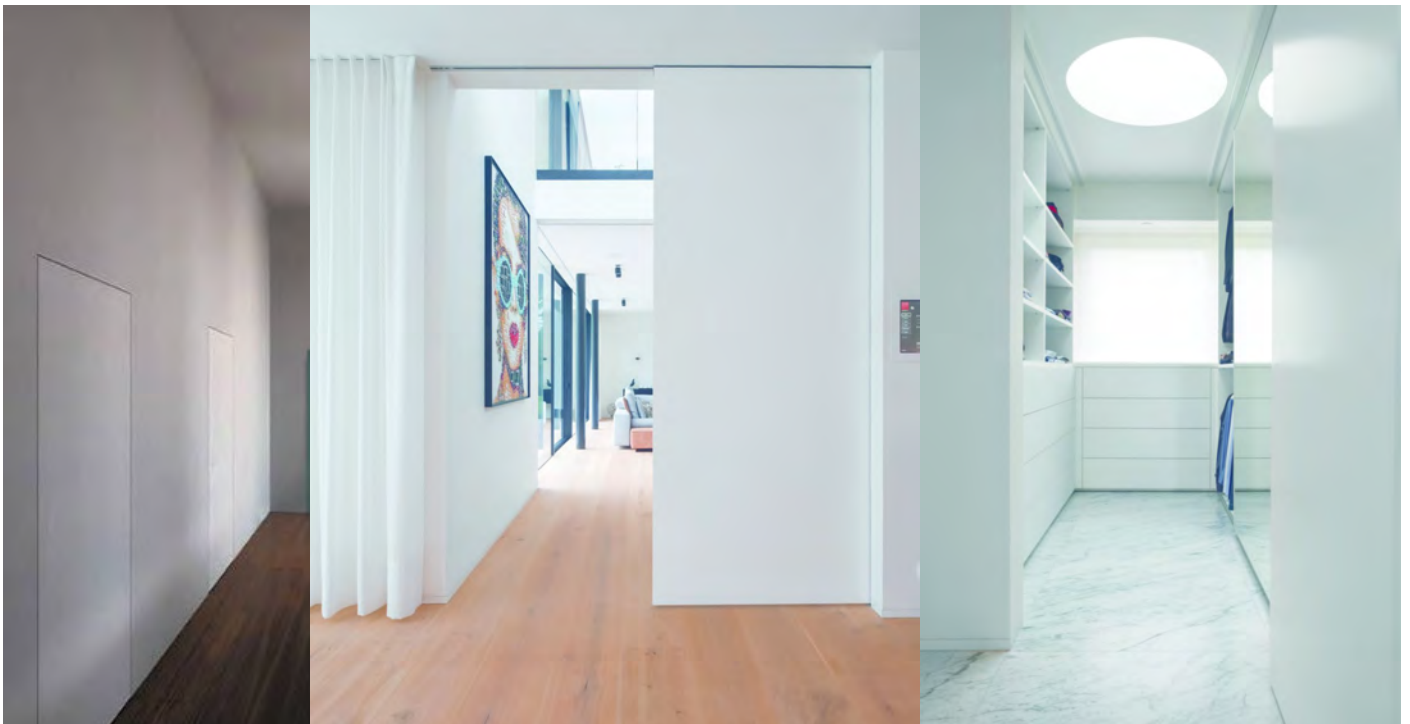
**BINK250** - Single sided concealed cupboard & drawer pulls

Pg. 8 - 9

## Accessories

**BIZ44** - Milling tool for BL004, BL005, BINS & BINK hardware

Pg. 11





The first magnetic latch  
without visible door hardware  
for hinged doors

BL004 Handle-free magnetic passage latch

# BL004 & BL005 | Bonaiti Magnetic Handle-Free Latch

## Designed to provide a seamless door to wall environment

**Overview:** The new patented magnetic handle free latch (BL004/BL005Mini) for passage swing doors by No-Ha of Belgium & Bonaiti of Italy opens a new era in clean & practical design. It means walls no longer need to be visually interrupted by the traditional protruding door handle. The formal architectural composition of a wall can now continue without interruption, creating an aesthetically appealing appearance that is truly clean and elegant.

Designed to be used for internal passage doors where a smooth surface is envisaged between the wall surrounding the door itself, it allows a door to be opened and closed simply and cleanly. An added benefit is the lack of an unsightly latch tongue & striker plate to catch clothes on. A unique and completely handle-free door represents the most minimalistic look one can achieve.

**Aesthetics:** No visible door handle; a complete smooth wall surface. No visible striker plate when the door is closed. As a result you have a clean door & jamb. When open, there is no unsightly latch tongue protruding from the edge of the door; a clean look.

**Functionality:** To open the door, simply push the flap in and pull or push the door open. Push or pull the door shut again and the magnetic latch will self-engage once the magnetism of both the latch and striker meet.

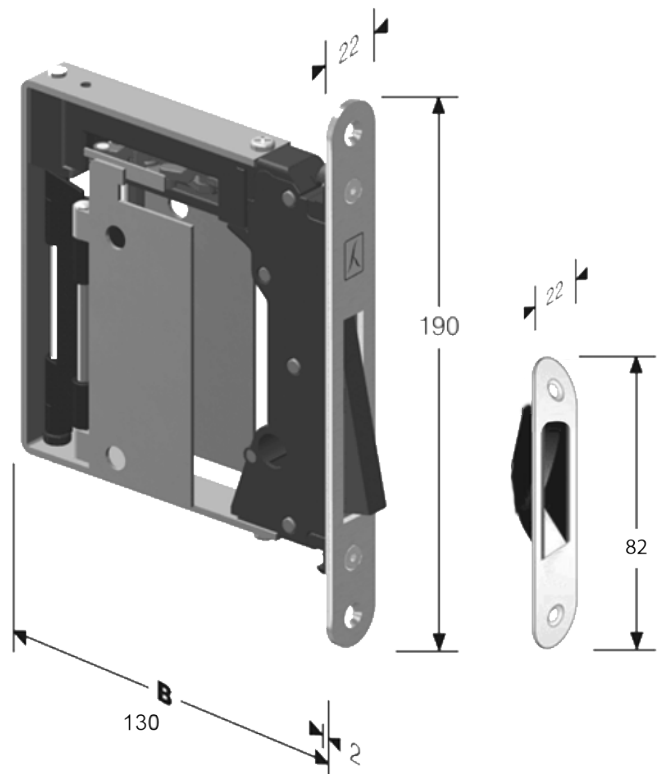
**No Protrusion:** There is no chance of catching clothes or arms on protruding latch tongues & striker plates as they do not exist with the BL004/BL005.

**Wide Door Jamb:** No need to custom make a visible unsightly, costly striker plate for wide door jambs. The BL004/BL005 latch only engages when the door is in the closed position.

**Reliability:** *Massive Australian & New Zealand install base.* Tested to over 400,000 cycles - totally reliable. Over 10 years of in market product experience built into every unit. Made 100% in Italy.

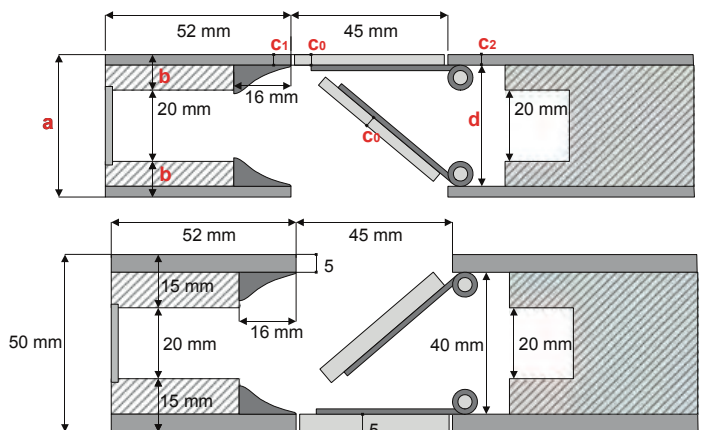
THE FIRST HANDLE FREE  
MAGNETIC LATCH FOR SWING  
DOORS

Massive worldwide install base including  
Australia and New Zealand.



*Designed to be used for internal passage or privacy swing doors where a the door needs to blend into the wall without handles and striker plates. Minimum door thickness 36mm*

a	b =1/2(a-20)	c0	C1	C2 = c0	d = a-(2xc2)
36 mm	8 mm	3 mm	3 mm	3 mm	30 mm
38 mm	9 mm	3 mm	3 mm	3 mm	32 mm
40 mm	10 mm	3 mm	3 mm	3 mm	34 mm
42 mm	11 mm	3 mm	3 mm	3 mm	36 mm
44 mm	12 mm	3 mm	3 mm	3 mm	38 mm
46 mm	13 mm	3 mm	3 mm	3 mm	40 mm
48 mm	14 mm	4 mm	4 mm	4 mm	40 mm
50 mm	15 mm	5 mm	5 mm	5 mm	40 mm



### Handle-Free Magnetic Latch Order Codes

BL004(finish) - Handle-free magnetic passage latch  
BL005 (finish) - Handle-free magnetic privacy latch  
(Srivacy snib & eRelease included)

### Finish Guide:

SC= Satin Chrome      CR = Polished Chrome

### Options

BINKPM - Pre-cut MDF cover plate (Paddle)  
BINKPA - Pre-cut Aluminium cover plate (Paddle)  
BINKPS - Pre-cut Satin Stainless Steel cover plate (Paddle)  
BINKPB - Pre-cut Bronze cover plate (Paddle)  
BIZ44R - Custom Router Bit for easier installation (Rent)  
BIZ44B - Custom Router Bit for easier installation (Buy)

# BINS| Concealed Flush Pull Range

## Designed for sliding doors that fully recess into pockets

The BINS range of concealed sliding door flush pulls have been specifically designed to provide a clean smooth contemporary look that is not interrupted by the visual appearance of traditional flush pulls or handles. Unlike traditional sliding door hardware, the BINS range sits flush with the face of the door; as a result the door will fully recess into the sliding door cavity.

Using the BINS range, the formal architectural composition of a door can now continue without interruption of a noticeable handle, creating an aesthetically minimalistic truly clean door.

More and more, tolerance in cavity sliders are becoming smaller & smaller, you can achieve a flawless blend by using the veneer of the door and adhering it to the rectangular push plate. This allows the flush pull to disappear into the door providing you with a beautifully clean solid door face.

The BINS range's beautiful contemporary look is achieved without compromising the functionality of the flush pull. The cavity, created when pressing the faceplate in, ranges from a minimum of 32mm through to 43mm deep based on door thickness, providing ample room from either side of the door.

An additional benefit of the BINS clever design; you can grab the flush pull from any side or position of its rectangular shape. This feature is due to the unit using four (4) springs, not a mechanism when pressing the face plate in.



# BINS | Concealed Flush Pull Range - Technical Data

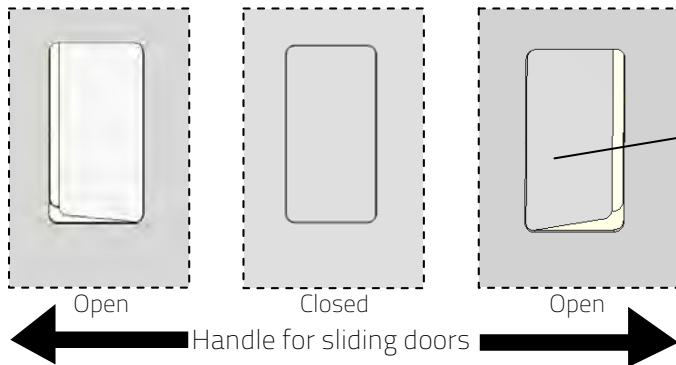
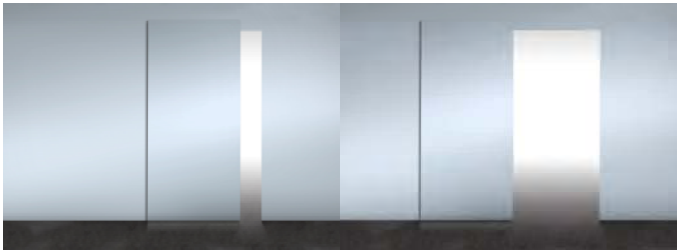
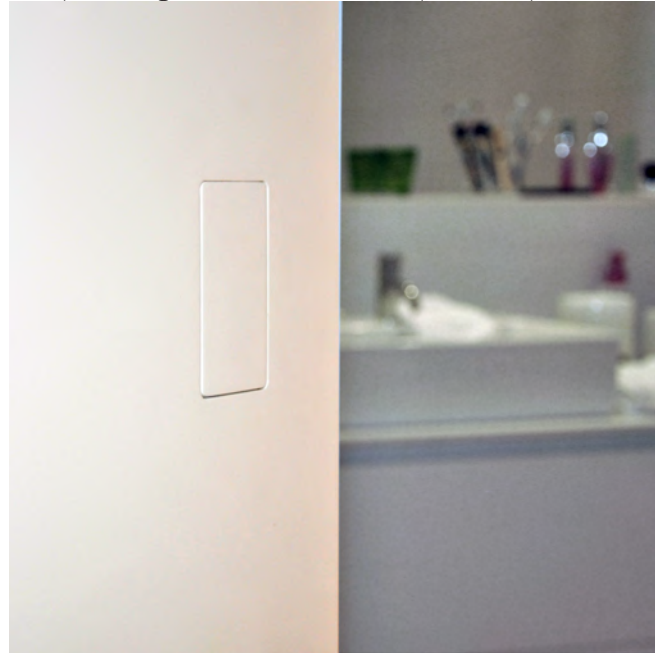
## Designed for sliding doors that fully recess into pockets

Designed by No-Ha of Belgium and made 100% in Europe by Bonaiti of Italy, the BINS range of concealed flush pulls are made from industrial strength nylon and steel. The BINS range has shown to be a real winner in terms of reliability, functionality and aesthetic appeal.

Suitable for doors from 38mm to 50mm thick for double sided, 27 - 38mm for single sided; installation of the BINS range is achieved via use of a custom 44mm milling tool, by routing a hole in the door specifically sized for the units to drop in. There is no need for the door to be pulled apart, or to remove the face of the door. Using the BIZ44 milling tool (*available for purchase or rental*) fitting can be completed on site or in the factory.

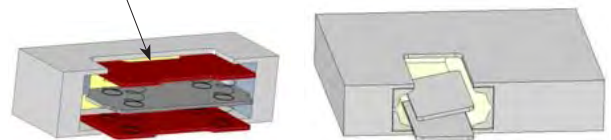
With the added benefit of four independent steel springs fixed to the underside of each push plate, you can rest easy knowing it will always bounce back and sit flush with the face of the door.

The BINS range comes with a 2-year manufacturer's guarantee.

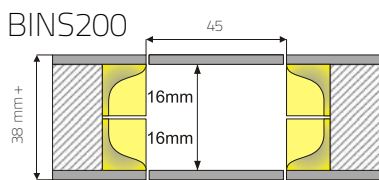


Measurements:

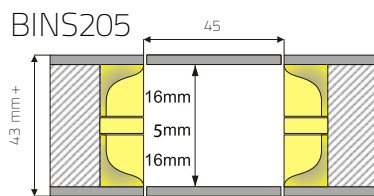
- Opening: 87mm x 45mm
- Cover plate: 85.5mm x 43.5mm
- Note: The MDF or other material cover plate is made to match the surface finish of the door and is adhered to the face plate of BINS range mechanism. (purchased separately)



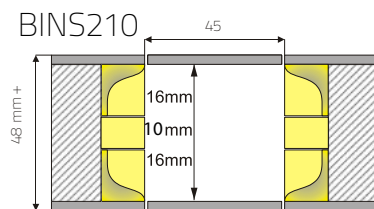
### Back to Back Flush Pulls for Sliding Doors



38 to 42mm thick doors

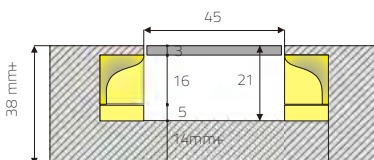
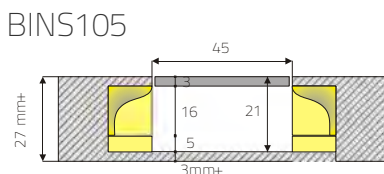


43 to 47mm thick doors



48 to 50mm thick doors

### Single Side Only Flush Pull for Sliding Doors



Order Codes:

- BINS200 - For doors 38 - 42mm thick
- BINS205 - For doors 43 - 47mm thick
- BINS210 - For doors 48 - 50mm thick
- BINS105 - Single Side only 27mm+
- BIZ44B - Milling Tool (Buy)
- BIZ44R - Milling Tool (Rent)
- BINKPM - MDF Pre-Cut Cover Plate
- BINKPA - Aluminium Pre-Cut Cover Plate
- BINKPS - Stainless Steel Pre-Cut Cover Plate
- BINKPB - Bronze Pre-Cut Cover Plate

# BINK250 | Single Sided Concealed Flush Pull

## Designed as a invisible pull for cupboards and drawer front

The BINK250 concealed cupboard and drawer pull has been specifically designed to provide a clean, smooth contemporary look that is not interrupted by the visual appearance of traditional cabinet pulls or handles. Unlike traditional handles the BINK250 sits flush with the face of the cupboard and drawer, creating an aesthetically appealing appearance that is truly clean and elegant.

By using the veneer of the door or other material, and adhering it to the rectangular push plate you can achieve a fully blended pull that looks and acts as part of the cupboard or drawer. The BINK250 provides you with a beautifully clean solid cupboard and drawer face. Designed to be used in a horizontal or vertical position, the BINK250 is suitable for almost any opening and closing application.

The BINK250's beautiful contemporary look is achieved without compromising the functionality of the pull. The cavity that the BINK250 creates when pressing the face plate in is 19mm deep, provides ample room for even the largest of hands. An additional benefit of the BINK250's clever design, is that you can grab the pull from any side or position of its rectangular shape. This feature is due to the unit using four (4) springs, not a single sided mechanism when pressing the faceplate in.

*A clean wall - no visible handles*





# BINK250 | Single Sided Concealed Flush Pull - Technical Data

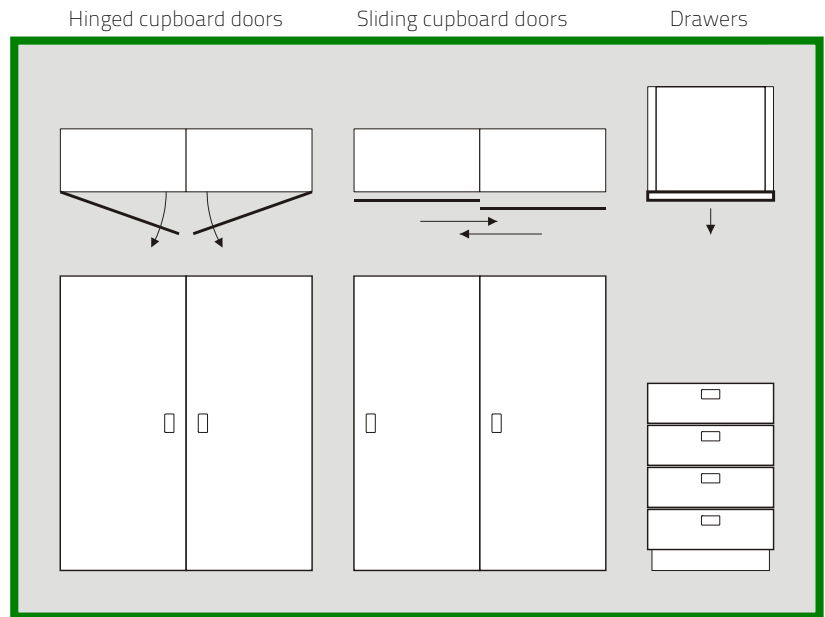
## Designed for cupboard and drawer fronts

Like its bigger brother (the BINS range), the BINK250 is also designed by No-Ha of Belgium and made 100% in Europe by Bonaiti of Italy, is an ideal solution where you need a single sided flush pull. Made from industrial strength nylon and steel, the BINK250 is also a real winner.

Installation of the BINK250 is achieved via use of a custom 44mm milling tool. It cuts a hole on the inside of the cupboard or drawer specifically sized for the BINK250 to drop in. Using the BIZ44 milling tool (available for purchase or rental) fitting can be completed on site or in the factory.

With the added benefit of four independent steel springs fixed to the underside of the push plate, you can rest easy knowing it will always bounce back and sit flush with the face of the door.

The BINK250 comes with a 2-year manufacturer's guarantee.

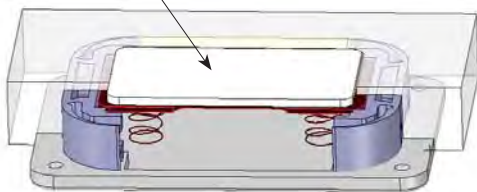


### BINK 250



Measurements :

- Opening: 87 mm x 45 mm
- Cover plate: 85.5 mm x 43.5 mm
- Note: The MDF or other material cover plate is made to match the surface finish of the cupboard or drawer panel and is adhered to the face plate of the BINK250 mechanism. (purchased separately)



Order Codes:
▪ BINK250 - For doors 19 - 24mm thick
▪ BIZ44B - Milling Tool (Buy)
▪ BIZ44R - Milling Tool (Rent)
▪ BINKPM - MDF Pre-Cut Cover Plate
▪ BINKPA - Aluminium Pre-Cut Cover Plate
▪ BINKPS - Stainless Steel Pre-Cut Cover Plate
▪ BINKPB - Bronze Pre-Cut Cover Plate



# BIZ44 | Milling Tool - Technical Data

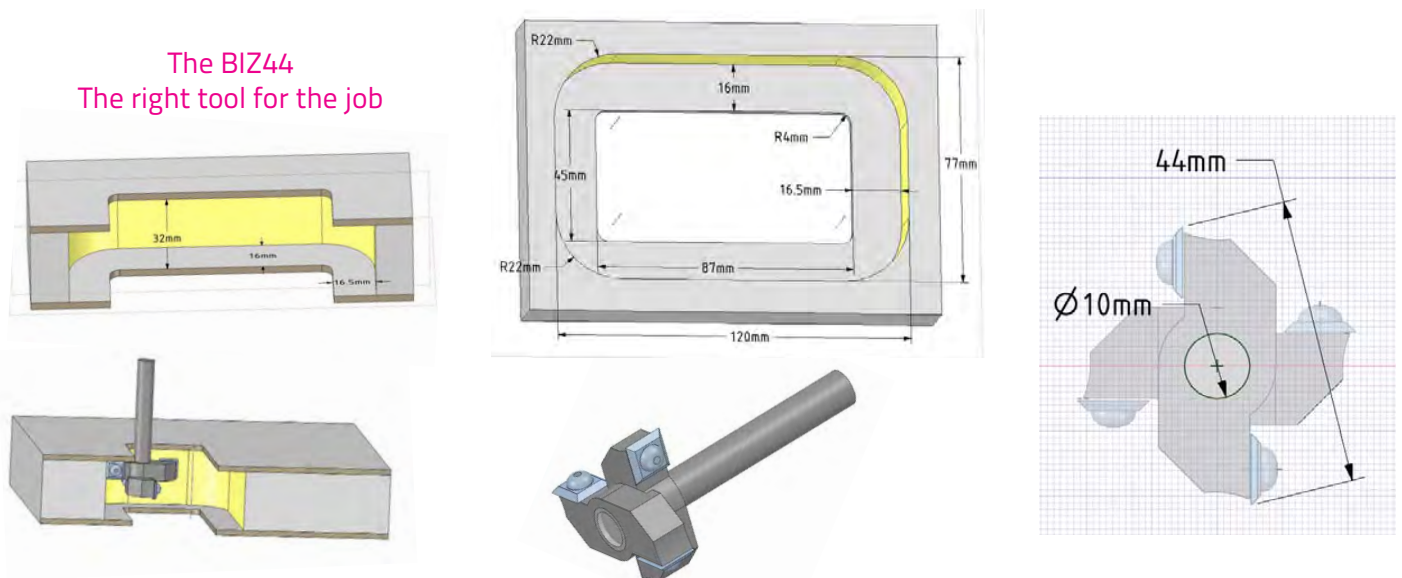
Designed for the BL004 & BL005, BINS & BINK range of concealed flush pulls

No longer is it a costly, difficult and time consuming process to fit-off rebated hardware. Not when you have the correct tool for the job.

Specifically made for the installation of the No-Ha invisible range of products, the BIZ44 milling tool makes the installation process a breeze. No more chiselling or chipping the timber; the BIZ44 is specific to the requirement.

The BIZ44 cuts a hole in the timber door and/or face of the cupboard or drawer specifically sized for the BINS200 and BINK250 to drop in. Using the BIZ44 milling tool (available for purchase or rental) fitting can be completed on site or in the factory.

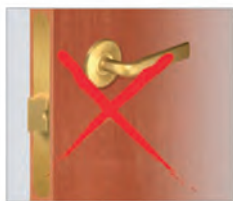
With the added benefit of four independent cutting edges, the BIZ44 has been made with multiple uses in mind.



The BIZ44  
The right tool for the job

Used throughout Europe to achieve a blended look, the No-Ha range of concealed handles meets today's minimalistic look and feel of modern architecture and interior design.

Now being used in residential and commercial projects throughout Australia and New Zealand.



**Used On:**

- Swing Doors
- Sliding Doors
- Drawers
- Cupboards

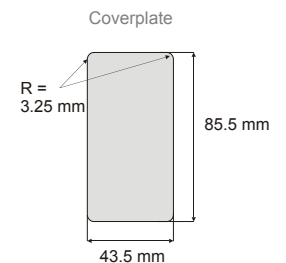
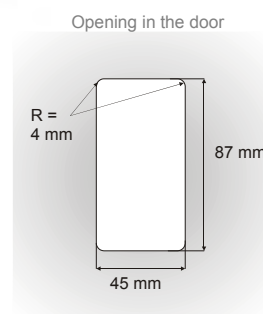


**Practical Application:**

- Desks
- Kitchens
- Furniture
- WC doors
- Utility rooms
- Pantry doors
- Hidden rooms
- Cupboard drawers
- Bathroom entry doors
- Doors in narrow hallways



**R3.25mm Cover Plate Dimensions**



**Order Codes:**

- BIZ44B - Milling Tool (Buy)
- BIZ44R - Milling Tool (Rent)
- BINKPM - MDF Pre-Cut Cover Plate
- BINKPA - Aluminium Pre-Cut Cover Plate
- BINKPS - Stainless Steel Pre-Cut Cover Plate
- BINKPB - Bronze Pre-Cut Cover Plate



Bellevue Architectural  
954 Glenhuntly Road  
Caulfield South Victoria Australia 3162

Ph: 03 9571 5666  
[www.bellevuearch.com.au](http://www.bellevuearch.com.au)  
[info@bellevuearch.com.au](mailto:info@bellevuearch.com.au)

The catalogue and products may be updated. Registered trademarks and patented designs. All rights reserved © Joakim & Bellevue Architectural

No-Ha: Catalogue AU V1/3