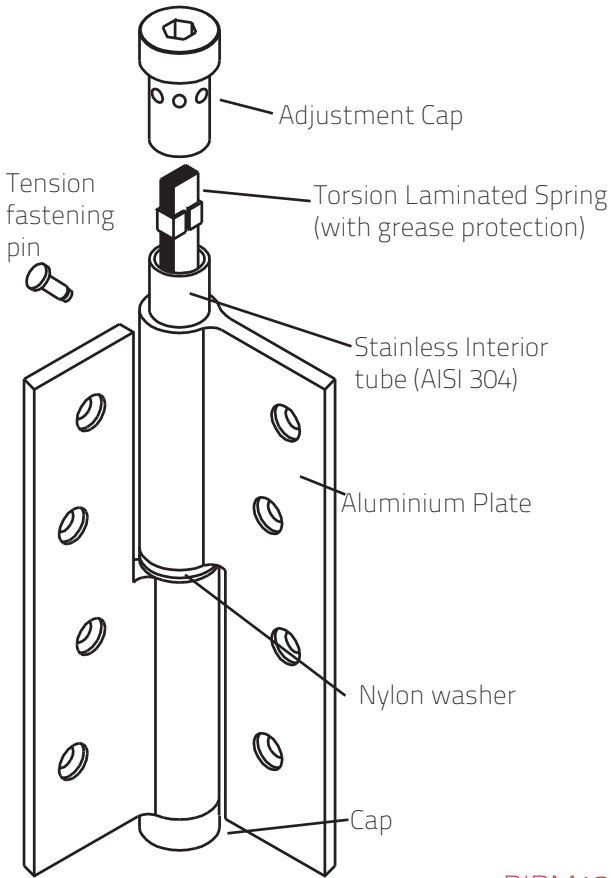


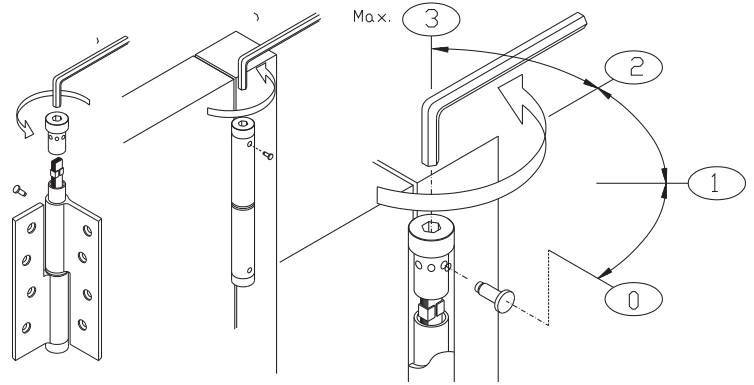
Lift-off Spring Hinges BIPM120 Technical Data

Aluminium

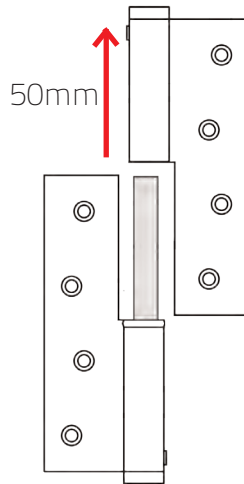
Anatomy of a Lift-Off Spring Hinge:



BIPM120 Adjustment Instructions:



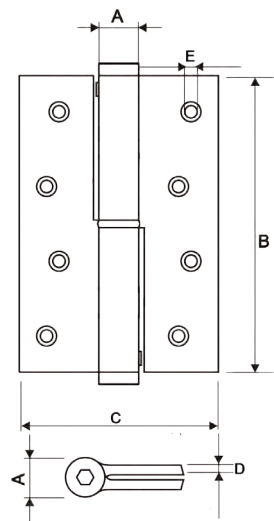
Lift Off Gap:



Dimensional Information:

Model	BIPM120
A	Ø16
B	120
C	80
D	4
E	Ø5

Measurements Table (in mm)



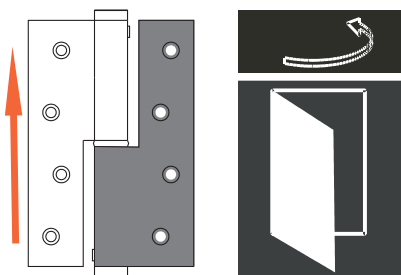
BIPM120 Range:

The BIPM120 is a tangible and cost effective solution for doors that need to automatically close, but also have the added safety function of a lift-off hinge for doors that weigh up to 30kg.

The BIPM120 is incredibly versatile and adjustable without taking the door down. The closing tension will not impact the door's ability to be lifted off from the jamb. Made in Spain by Justor, the BIPM120 comes with a 2-year manufacturer's guarantee.

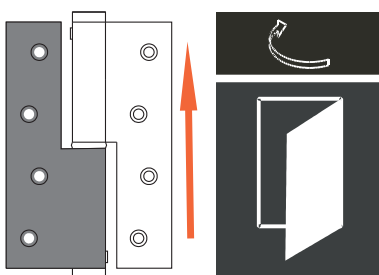
[The BIPM120 - the smaller, smarter choice](#)

Australian Handing / Left



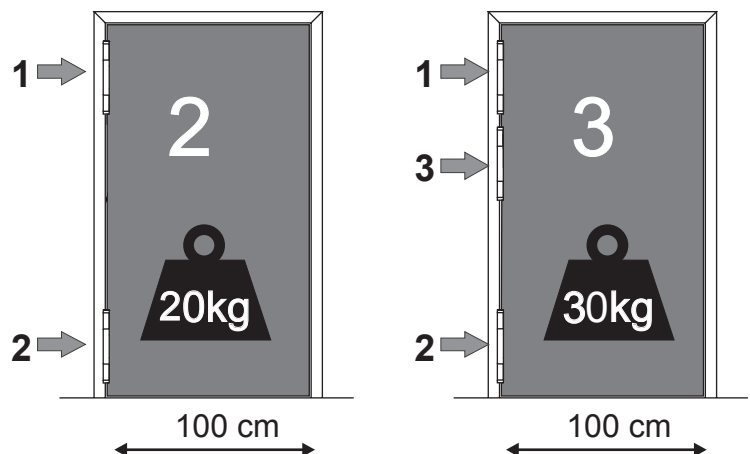
▪ BIPM120R - Anodized Silver

Australian Handing / Right



▪ BIPM120L - Anodized Silver

Number of Hinges Based on Door Weight:



Lift-Off Spring Hinge BIPM120 Functional Data

Aluminium

The revolutionary designed and engineered BIPM120 spring loaded self-closing lift-off hinge for the commercial and residential markets by Justor of Spain combines two important aspects of door functionality, the ability to [automatically close a door](#) and [to lift the same door off its hinges](#) for safety reasons.

The BIPM120 has been designed to carry and automatically close doors that weigh up to 30kg that require the functionality of traditional lift-off hinges. Guaranteed for 2 years and stocked locally, the BIPM120 is made out of Aluminium and AISI 304 Stainless Steel components.

Once installed the BIPM120 has multiple adjustment points to bring the door back quickly or slowly with the added advantage of still being a lift-off hinge. Ideally suited for toilet or partition doors, office and bedroom doors, just to name a few. The BIPM120 is ideal for residential environments, restaurants, hospitals, commercial buildings, apartments, boats and general projects of all sizes.

Adjusting the closing speed of the door is easy and practical. The Justor BIPM120 has multiple tension settings for detailed control of door closure speed and adjustments can be made without having to take the door down and without impacting the ability to lift the door off the hinges. Aesthetically pleasing to the eye, cost effective and highly functional, the BIPM120 is a real and cost effective solution for doors that require automatic closing and still retains the lift-off functionality of traditional lift-off hinges.

Made to exact European standards in Spain by Justor. The BIPM120 is a maintenance-free solution, no periodic greasing or multiple adjustments required, just 1 drop of oil in the top cap once a year.

The BIPM120 represents a smarter option when it comes to design and aesthetics.



BIPM120 Range Quick Facts:

- Spring Resistance 500,000 cycles
- Two Part Lift-Off Hinge
- Resistant to Extreme Climatic Conditions (Cold and Humidity)
- 50mm Lift-Off Gap
- Maximum resistance to bending
- Up to 30kg in Door Weight
- Torsion Spring not a Coil Spring
- Variable Closing Strength (speed)
- 90° or 180° Working Aperture
- Solid and Stylish Design
- For Wood or Aluminium Doors
- Slim Profile vs. Bulky Door Closer
- Quick & Simple Installation
- Detailed Instructions Included
- Available Finish: Silver
- Manufactured in Spain and comes with a 2 Year Manufacturer's Guarantee

Order Codes:

- BIPM120L - Anodized Silver
- BIPM120R - Anodized Silver
- Australian Handing System Used

