

BIPP push flap welding spring hinge

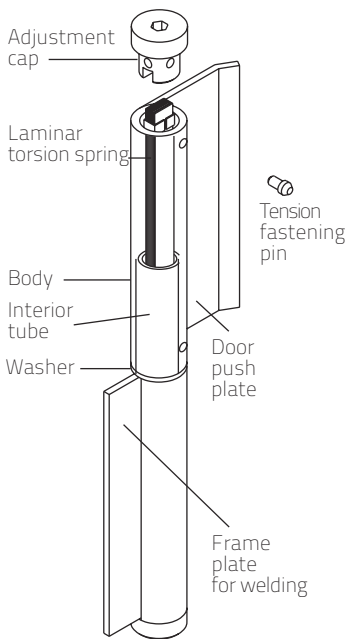
For welding onto steel jambs and frames

The Justor BIPP push flap hinge is specifically designed for welding to gates and metal door jambs where existing hinges may already be in use. By adding the BIPP hinge, you will be able to automatically close light to heavy steel framed doors and metal gates that weigh up to **80kg**. The Justor BIPP push flap welding spring hinges are sleek, stylish and simple. Made in Spain by Justor to exacting European standards; the BIPP push flap is adjustable without the need to take the door or gate down.

Made of steel, the BIPP push flap can be used on internal or external steel or metal-framed door jambs, and doors whenever a door needs to close without assistance. Made in Spain By Justor, the BIPP push flap represents quality and innovation not normally seen in a product of this type. Optionally, the BIPP hinge can be powder coated. Once done, it blends into any environment and surrounding.

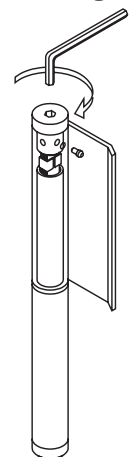
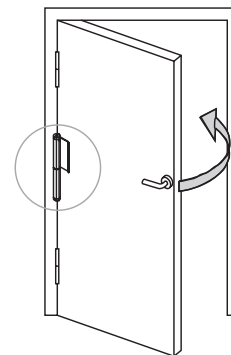
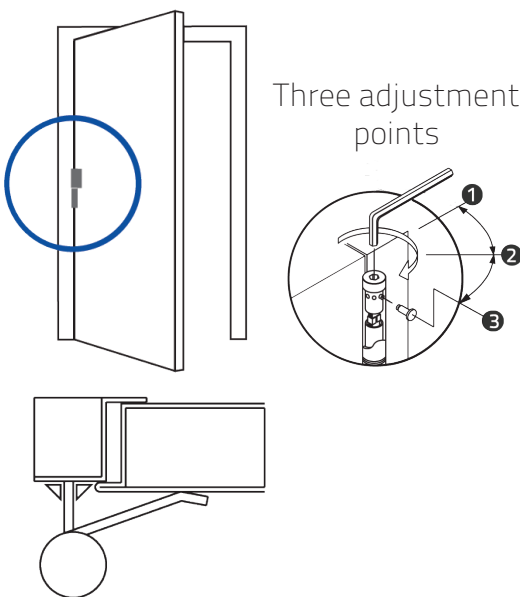
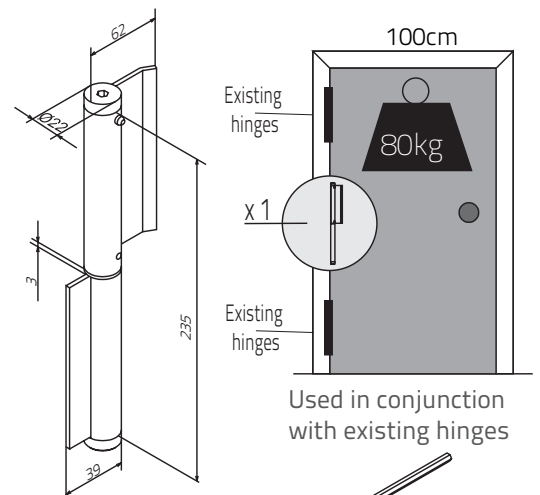
Cost effective and highly functional, it is a real and effective alternative to traditional and unsightly door closers and closing solutions. The BIPP range is a maintenance free solution - no periodic greasing or adjustments required, just 1 drop of oil in the top caps once a year. The BIPP spring hinge comes with a 2 year manufacturer's Guarantee.

Anatomy of a spring hinge:



Technical data for welding

Dimension & weight info:



BIPP quick facts:

- Spring resistance 500,000 cycles
- Used with existing hinges
- Ideal to retrofit existing doors & gates
- Up to 80kg in door weight
- Torsion spring not a coil spring
- Variable closing strength
- Highly efficient 180° working aperture
- Solid and stylish design
- For metal doors, gates and frames
- Ideal for internal or external use
- 2 year manufacturer's guarantee
- Made in Spain
- Slim profile

Order Codes:

- BIPP - Gun metal - Push flap - 80kg

Finish: Gun metal is a raw finish which can be powder coated or painted to specific colours.