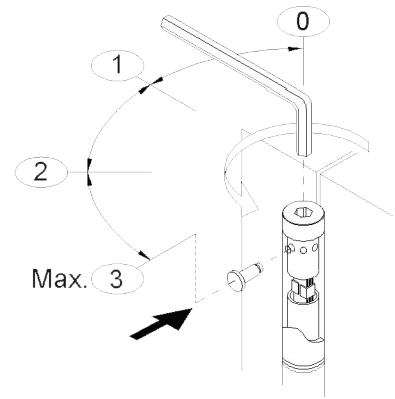
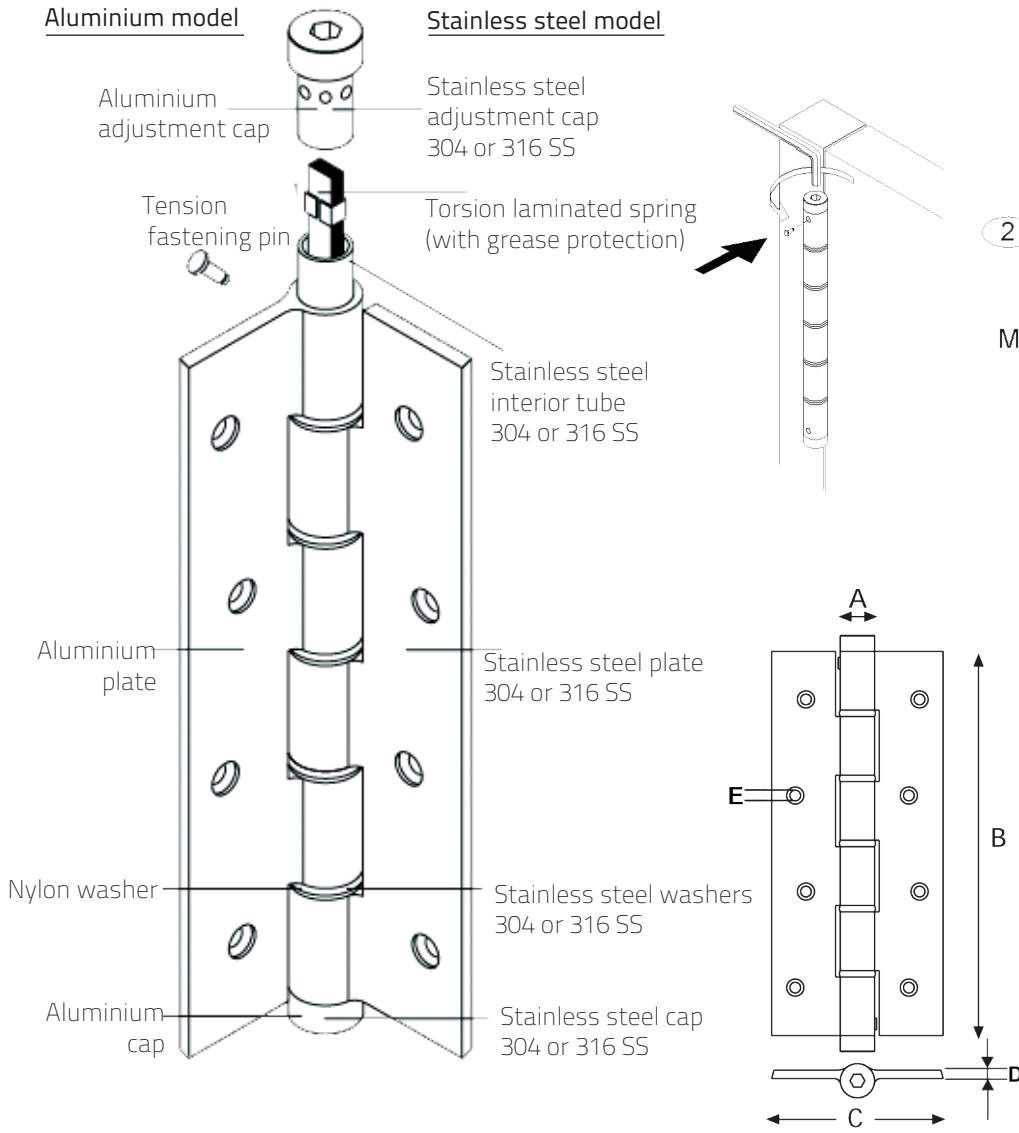


Spring hinge BISA180 technical data

Aluminium, zinc plated, 304 & 316 marine grade stainless steel

Anatomy of a single action spring hinge:

BISA180 adjustment instructions:

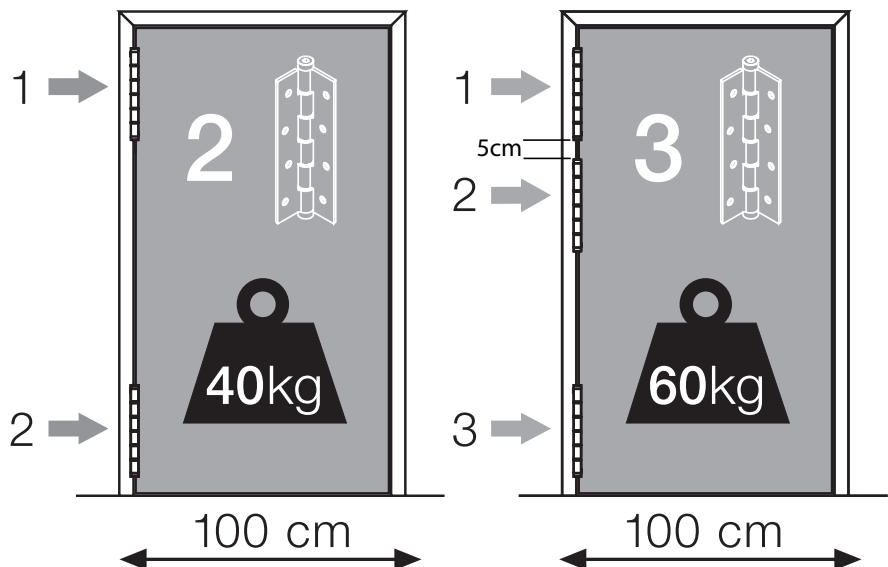
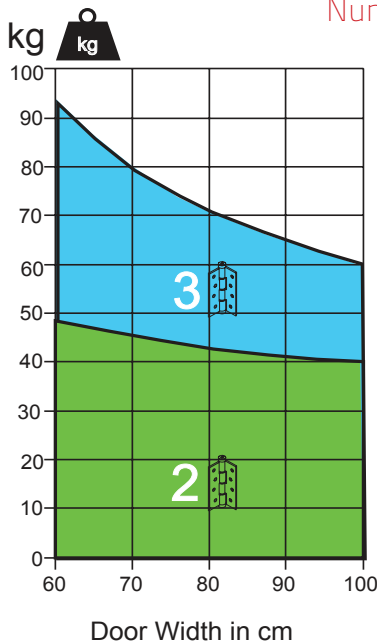


Single action hinge size and dimensions:

	BISA180 Aluminium	BISA180 SS, S3 & ZP
A	Ø16	Ø18
B	180	180
C	80	80
D	4	3
E	Ø5.3	Ø5.3

(All dimensions in mm)

Number of hinges required per door based on door weight & width:



Spring hinge BISA180 functional data

Aluminium, zinc plated, 304 & 316 marine grade stainless steel

Now there is no longer a need for unsightly door closers, the BISA180 family of single action spring hinges are designed to automatically close a door with a subtle visual appearance. Made in Spain by Justor, the BISA180 is highly functional and adjustable, ideal for all doors that weigh up to 65kg (based on door 900mm wide).

Simplistically, the spring will act as a door closer and close the door once opened. Made out of Aluminium, Zinc Plated or AISI 304 or 316 Stainless Steel, the BISA180 single action spring hinge is ideal for internal or external applications. Once installed the BISA180 spring hinge can be adjusted to bring the door back quickly or slowly via three (3) tension settings. Each setting provides detailed control of the door closure speed. Adjustments can be made without having to take the door down.

Currently the BISA180 spring hinge is being used on perimeter doors, pool doors, gates, front doors, large feature doors, office doors & WC doors, just to name a few. The BISA180 has been installed in restaurants, hospitals, commercial buildings, apartments, boats, residential environments and general projects of all sizes throughout Australia and New Zealand.

An added advantage of the BISA180 is its appearance; it is sleek and has clean lines. Cost effective and highly functional, it is a real and effective alternative to traditional and unsightly door closers and closing solutions. Justor BISA180 spring hinge comes with a 2 year manufacturer's Guarantee and is available in a range of finishes and base materials; the Justor BISA180 is hard to overlook.

The BISA180 has won international design awards and is made to exacting European standards in Spain by Justor. The BISA180 is a maintenance free solution; no periodic greasing or adjustments required, just 1 drop of oil in the top cap once a year - a smart design. The BISA180 represents a smarter option when it comes to design and aesthetics.

BISA180 quick facts:

- Spring resistance 500,000 cycles
- Aluminium or 304 & 316 stainless steel, zinc plated
- Resistant to extreme climatic conditions (cold and humidity)
- Maximum resistance to bending
- Up to 92kg in door weight
- Torsion spring not a coil spring
- Variable closing strength (speed)
- 90° or 180° working aperture
- For timber or aluminium doors
- Slim profile vs. bulky door closer
- Quick & simple installation
- Available finishes: Stainless steel, silver, bronze or gold (by request)
- Manufactured in Spain and comes with a 2 year manufacturer's guarantee

Where the BISA180 is being used

- Residential environments
- Apartment buildings
- Hotels of all sizes
- Commercial environments
- Industrial estates
- Restaurant kitchens
- Hospitals
- Retail market

Order codes:

Base material: Aluminium

- BISA180AS - Anodized silver
- BISA180BLK - Anodized black
- BISA180WHT - Aluminium PC white
- BISA180AB - Anodized bronze
- BISA180AG - Anodized gold

Base material: Zinc

- BISA180ZP - Zinc plated

Base material: Stainless steel

- BISA180SS - 304 grade SS
- BISA180S3 - 316 marine grade SS

Non sprung

- BISA180NAS - Anodized silver
- BISA180NBLK - Anodized black
- BISA180NWHT - Aluminium PC white
- BISA180NAB - Anodized bronze
- BISA180NAG - Anodized gold



Anodized black



Aluminium PC white

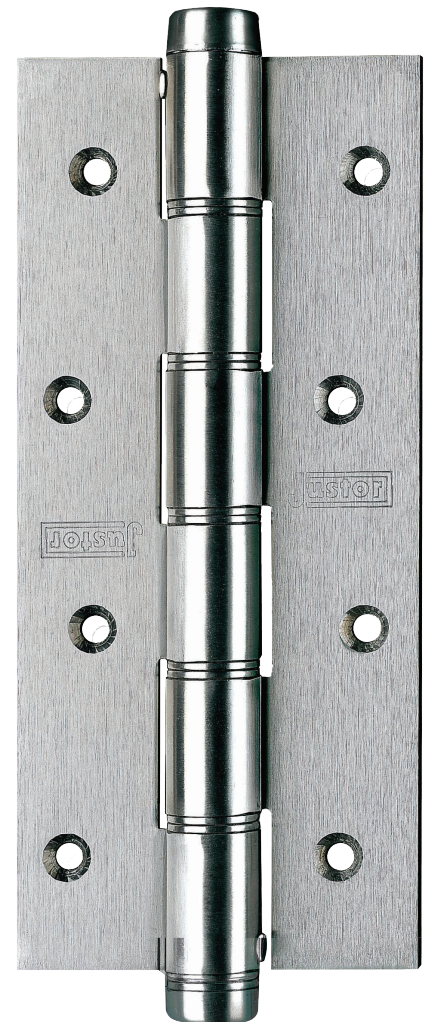


Anodized silver



Zinc plated

Ideal for welding onto metal jambs & doors



316 marine grade is ideal for sea air environments