

BL004 & BL005 | Bonaiti Magnetic Handle-Free Latch

Designed to provide a seamless door to wall environment

Overview: The new patented magnetic handle free latch (BL004/BL005Mini) for passage swing doors by No-Ha of Belgium & Bonaiti of Italy opens a new era in clean & practical design. It means walls no longer need to be visually interrupted by the traditional protruding door handle. The formal architectural composition of a wall can now continue without interruption, creating an aesthetically appealing appearance that is truly clean and elegant.

Designed to be used for internal passage doors where a smooth surface is envisaged between the wall surrounding the door itself, it allows a door to be opened and closed simply and cleanly. An added benefit is the lack of an unsightly latch tongue & striker plate to catch clothes on. A unique and completely handle-free door represents the most minimalistic look one can achieve.

Aesthetics: No visible door handle; a complete smooth wall surface. No visible striker plate when the door is closed. As a result you have a clean door & jamb. When open, there is no unsightly latch tongue protruding from the edge of the door; a clean look.

Functionality: To open the door, simply push the flap in and pull or push the door open. Push or pull the door shut again and the magnetic latch will self-engage once the magnetism of both the latch and striker meet.

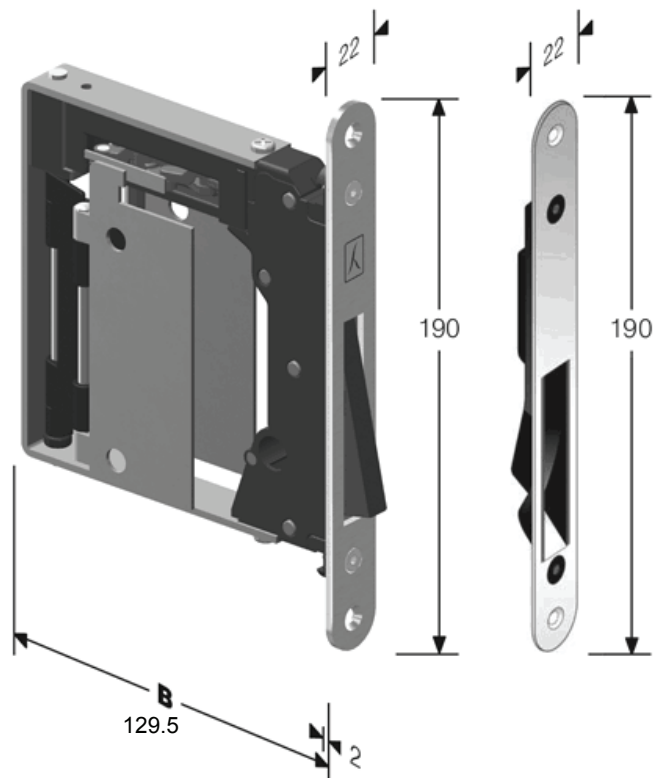
No Protrusion: There is no chance of catching clothes or arms on protruding latch tongues & striker plates as they do not exist with the BL004/BL005.

Wide Door Jamb: No need to custom make a visible unsightly, costly striker plate for wide door jambs. The BL004/BL005 latch only engages when the door is in the closed position.

Reliability: *Massive Australian & New Zealand install base.* Tested to over 400,000 cycles - totally reliable. Over 10 years of in market product experience built into every unit. Made 100% in Italy.

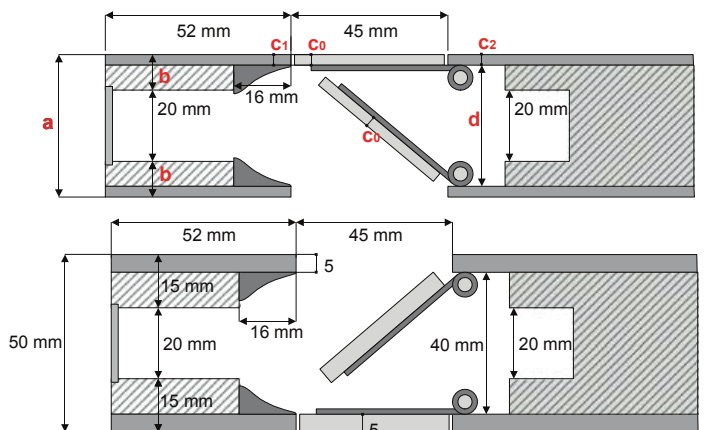
THE FIRST HANDLE FREE
MAGNETIC LATCH FOR SWING
DOORS

Massive worldwide install base including
Australia and New Zealand.



Designed to be used for internal passage or privacy swing doors where a door needs to blend into the wall without handles or striker plates. Minimum door thickness 36mm

a	b =1/2(a-20)	c0	C1	C2 = c0	d = a-(2xc2)
36 mm	8 mm	3 mm	3 mm	3 mm	30 mm
38 mm	9 mm	3 mm	3 mm	3 mm	32 mm
40 mm	10 mm	3 mm	3 mm	3 mm	34 mm
42 mm	11 mm	3 mm	3 mm	3 mm	36 mm
44 mm	12 mm	3 mm	3 mm	3 mm	38 mm
46 mm	13 mm	3 mm	3 mm	3 mm	40 mm
48 mm	14 mm	4 mm	4 mm	4 mm	40 mm
50 mm	15 mm	5 mm	5 mm	5 mm	40 mm



Handle-Free Magnetic Latch Order Codes

BL004(finish) - Handle-free magnetic passage latch
BL005 (finish) - Handle-free magnetic privacy latch
(Privacy snib & eRelease included)

Finish Guide:

SC= Satin Chrome CR = Polished Chrome

Options

BINKPM - Pre-cut MDF cover plate (Paddle)
BINKPA - Pre-cut Aluminium cover plate (Paddle)
BINKPS - Pre-cut Satin Stainless Steel cover plate (Paddle)
BINKPB - Pre-cut Bronze cover plate (Paddle)
BIZ44R - Custom Router Bit for easier installation (Rent)
BIZ44B - Custom Router Bit for easier installation (Buy)