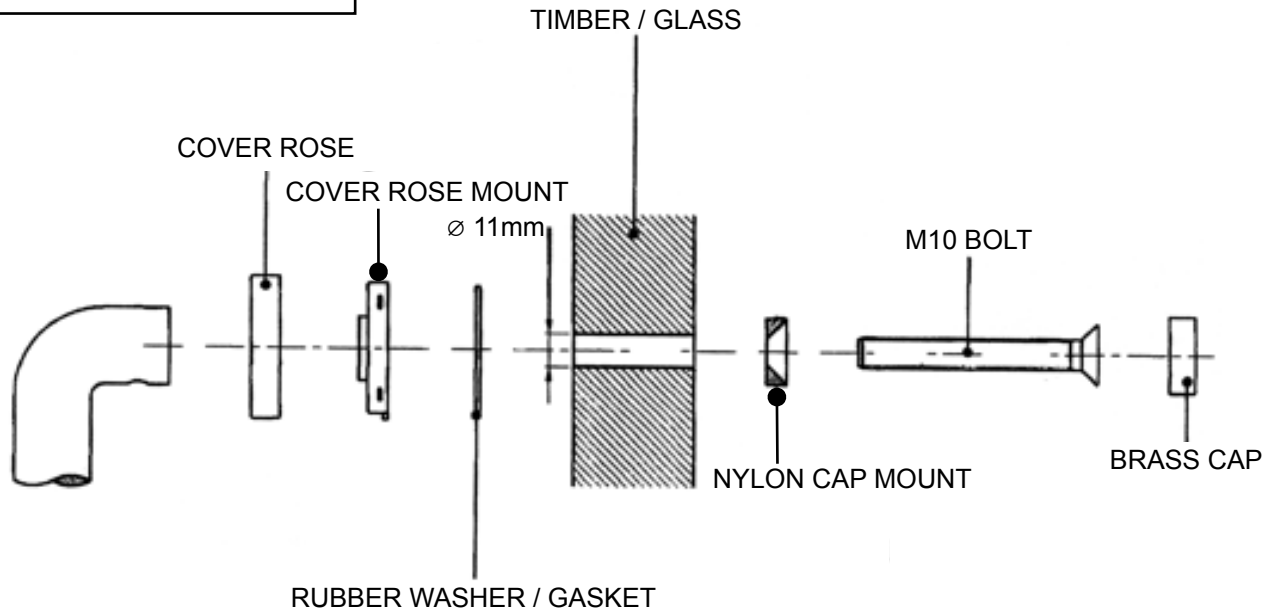
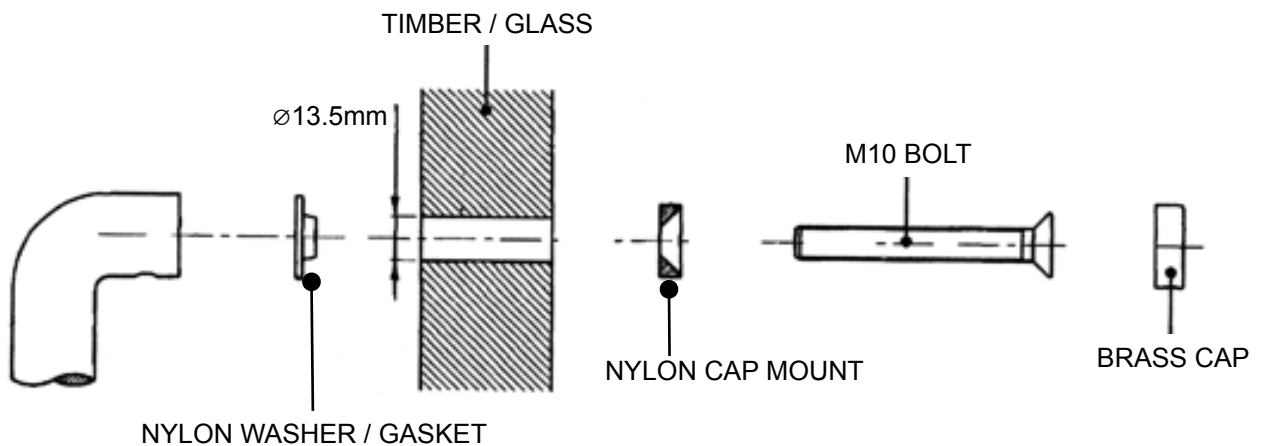


## OLIVARI ENTRY PULL SINGLE BOLT THROUGH FITTING GUIDE

Components for fitting single entry pull with cover rose on timber / glass door.  
Maximum thickness 50mm



Components for fitting single entry pull on timber / glass door.  
Maximum thickness 60mm



### *Suitable for Timber and Aluminum Framed Doors*

Diagrams and instructions are to be used as reference only. All templates must be printed at 100% scaling. Fixing instructions must be strictly adhered to. All parts supplied must be used; no responsibility will be taken for incorrect installation. Bellevue Architectural is not held liable for any damaged hardware due to incorrect installation and as such, is not considered to be under warranty. Warranty is return to base and does not cover transport and or any labour costs. Bellevue Architectural reserves the right to update and alter any information at any time. If unclear on instructions or for any further enquiries, please contact Bellevue Architectural. (Bellevue Architectural is a trading name of Bellevue Imports Pty Ltd)