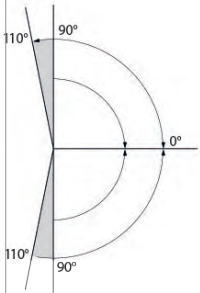
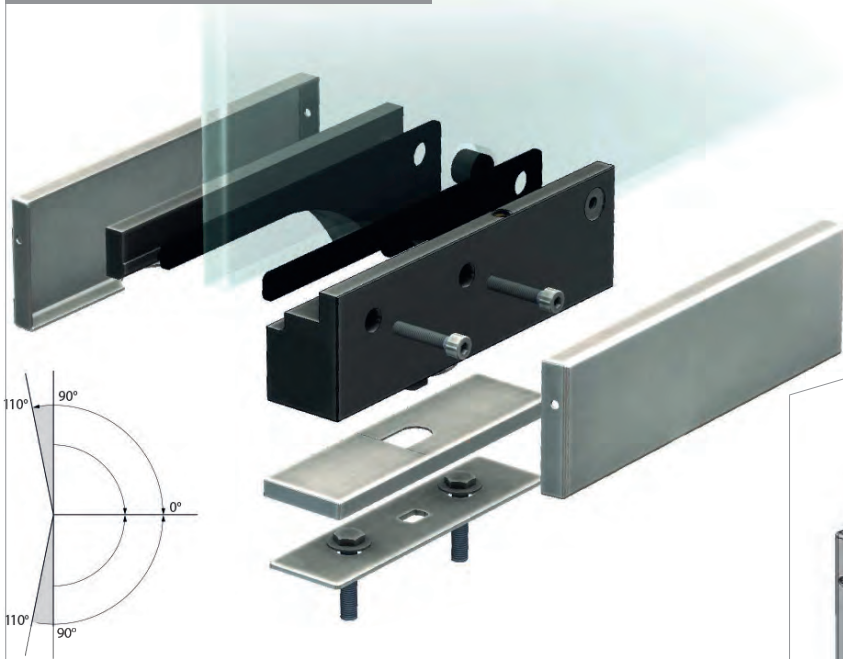


BGH | Hydra Pro Self-Closing Glass Patch Plate

Hydraulic Pivot for Glass Doors: Max 100Kg

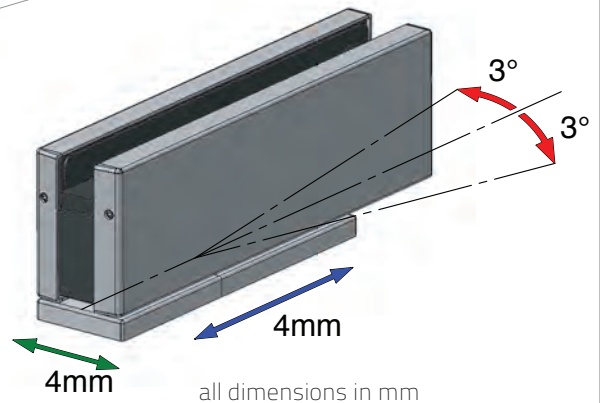
Exploded View



Hydra Pro Quick Facts

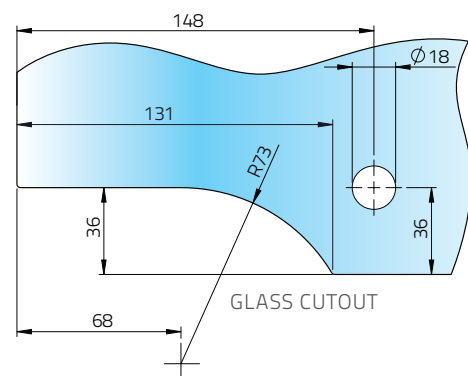
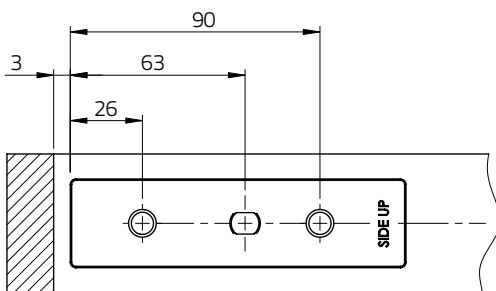
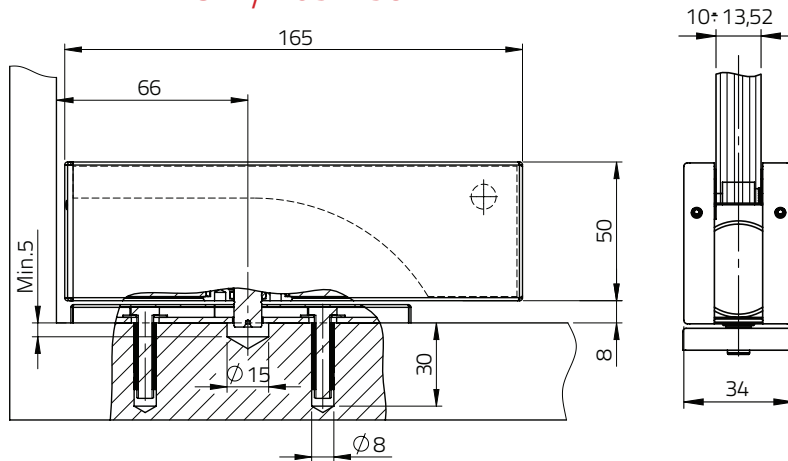
- 100% Made in Italy
- Tested to 500,000 cycles
- Available in multiple finishes
- 2 year manufactures guarantee
- Adjustable while the door is up
- Suitable for wet and dry locations
- Suitable for internal & external locations
- Suitable for high frequency opening doors
- Suitable for residential & commercial locations

Fully Adjustable



Dimensional Information

**Incredibly small size
Only 165 x 50mm**



all dimensions in mm

BGH | Hydra Pro Self-Closing Glass Patch Plate Hydraulic Pivot for Glass Doors: Max 100Kg

The smallest fully adjustable Hydraulic Patch plate on the market



The BGH Hydra Pro by GFS of Italy is an adjustable, self-closing, hydraulic patch plate for glass pivot doors. 100% made in Italy

Hydra Pro has been specifically designed to allow a single, or double action pivot glass door to open and **self-close; without the need of a floor spring**.

The BGH Hydra Pro hydraulic mechanism is completely enclosed within the patch plate; making the Hydra Pro sleek, clean and more importantly; easy to install, as it does not need to be rebated into the floor as a traditional floor spring would.

Made 100% in Italy by GFS, the Hydra Pro is totally reliable, and tested to 500,000 cycles; and ideal for glass doors that weigh up to 100kg.

The BGH Hydra Pro comes with multiple speed adjustments; including backcheck and latching speed adjustment for smooth and precise door closure.

Suitable for commercial and residential environments; wet or dry areas, the Hydra Pro also comes with a hold open at $\pm 90^\circ$.

Stocked locally in Melbourne and available with, or without the top pivot, the BGH Hydra Pro comes as a complete kit in multiple finishes.

Cost effective and highly functional, it is a real and effective alternative to traditional and unsightly floor springs.

Guaranteed for 500,000 cycles, easy to install; with no special glass cutting required the BGH GFS Hydra Pro is hard to overlook.

No Need for Large Unsightly Expensive Floor Springs.

Incredibly small size
Only 165 x 50mm



BGH Hydra Pro Key Data	
Glass Thickness	8-13.52mm Thick
Max Door Weight	100 Kg
Max Door Width	900mm
Hold Open	+90° -90°
Back Check	Yes
Adjustable Floor Plate	+/- 4mm
Angular Adjustable Floor Plate	+/- 3 degree
Speed Adjustable	Yes
Tested	500,000 Cycles
Usage	Indoor EN2 Strength

Hydra Pro Order Codes	
BGH7810BSS	Hydraulic Bottom Patch Plate Kit only - Satin Stainless
BGH7812BPS	Hydraulic Bottom Patch Plate Kit only - Polished Stainless
BGH7620BBL	Hydraulic Bottom Patch Plate Kit only - Black
BGH7810KSS	Hydraulic Bottom & Top Kit - Satin Stainless
BGH7812KPS	Hydraulic Bottom & Top Kit - Polished Stainless
BGH7620KBL	Hydraulic Bottom & Top Kit - Black
Kit includes: Bottom - patch plate, floor plate, bottom pivot, glass template diagram Top - patch plate, Top pivot, glass template diagram	