

## FRITSJURGENS SYSTEM 3



# SYSTEM 3

## SYSTEM SPECIFICATIONS

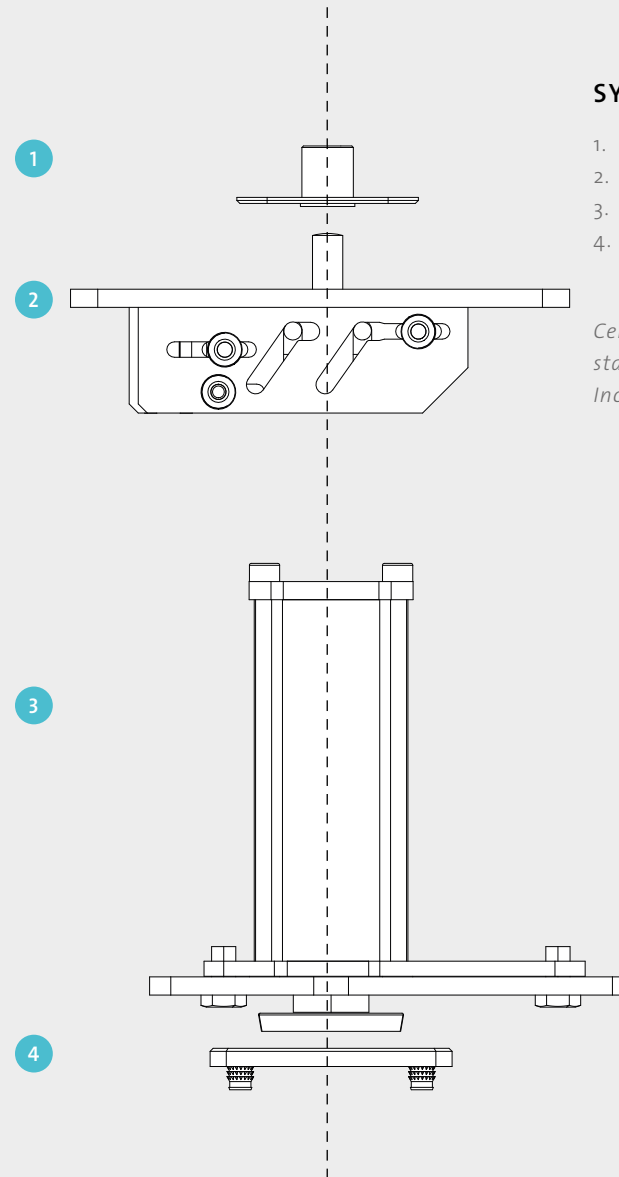
Types	System 3-9016 System 3-9020 System 3-9024 System 3-9028
Dimensions	160 x 32 x 143 mm
Weight	0,75 KG
Material	Stainless Steel   Anodized aluminum
Corrosion resistance	EN 1670 - class 5 (norm:0-5)

## DOOR SPECIFICATIONS

Door acting	Double-acting   360° rotation
Hold positioning	Hold positions 0°, 90°, 180° and 270°
Weight capacity	40-350 KG
Door width	1000 - 3800 mm
Door height	Unlimited
Pivot point	Middle
Min. door thickness	40 mm

## DOOR MOVEMENT

Door movement	Door moves from each 45° angle, in both directions, to a hold position.
---------------	---



## SYSTEM 3 COMPONENTS

1. Ceiling plate (300352)
2. Top pivot (200201)
3. System 3 (1001XX)
4. Square floor plate (400601) or Round floor plate (400401)

*Ceiling plate and floor plate in stainless steel (Series 420). Including mounting set (701000)*

System 3 is very suitable for room dividers and can be applied to create doors that rotate 360°. With this pivot hinge, a door can rotate in a full circle. System 3 has hold positions at every 90° angle and the door always moves to one of the hold positions.

## TECHNICAL DRAWING SYSTEM 3

1. Ceiling plate (300352)  
60 x 40 x 17 mm
2. Top pivot (200201)  
165 x 32 x 41 mm
3. System 3 (1001XX)  
160 x 32 x 143 mm
4. Square floor plate (400601)  
80 x 40 x 6 mm

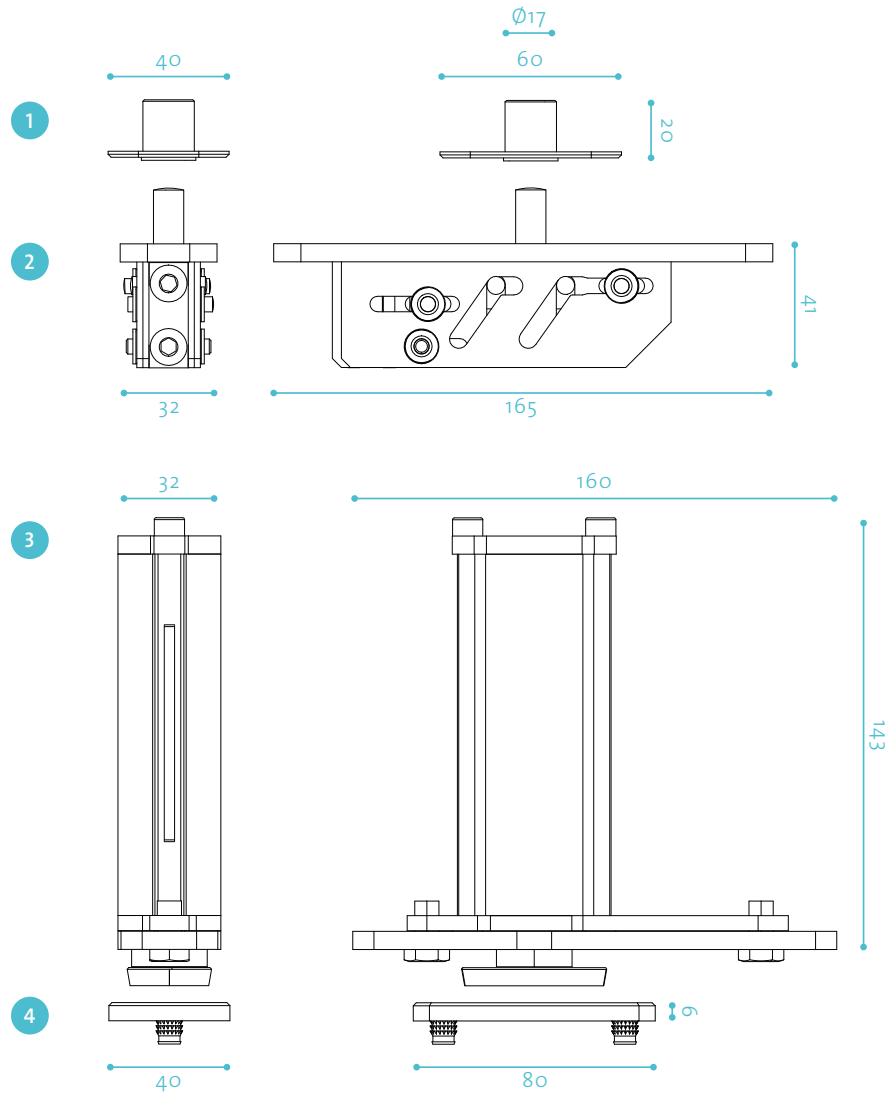
Optional:  
Round floor plate (400401)  
Ø80 x 6 mm

### Downloads

[System 3 2D drawing](#)

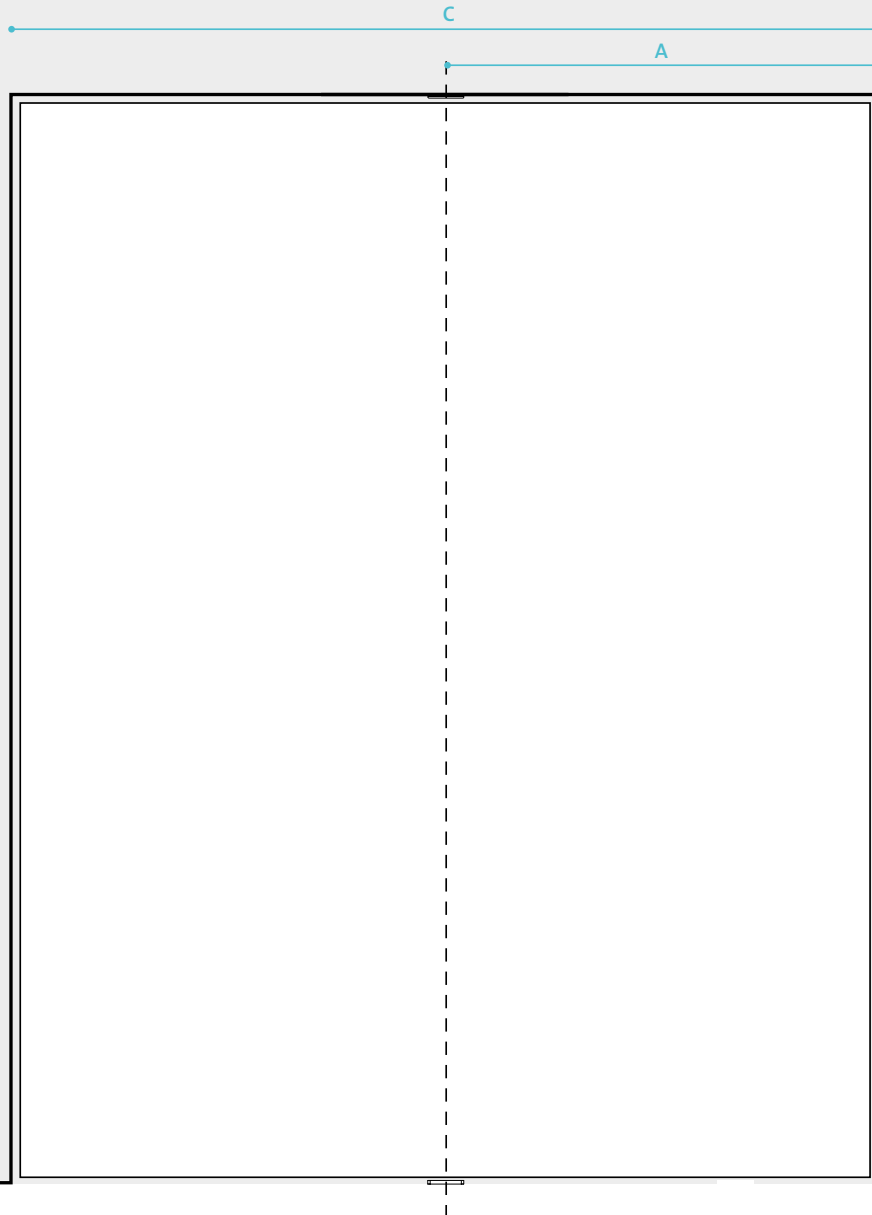
[System 3 3D drawing](#)

[System 3 BIM model](#)



## SYSTEM 3 - MODEL SELECTOR

[www.fritsjurgens.com/3](http://www.fritsjurgens.com/3)



To ensure the pivot hinge provides the appropriate movement for your door, System 3 is available in four models suited to the weight and width of the door. There are no limits to the height of the door.

For the optimal operation of the pivot door in case of particularly high doors and / or pressure differences in the building, select the next heavier System 3 variant, to ensure the closing force.

### EXAMPLE

Use the selection table at the next page. Specifications door:  
Width 2400 mm, height 3200 mm, weight 165 kg.

1. Check the door width  
**C = 2400 mm**
2. Determine the distance of pivot point to the latch side of the door:  
**A (C:2) 2400 mm : 2 = 1200 mm**
3. Fill in the weight  
**KG = 165 kg**

The following system suits this door:

**9024**

Does your pivot door have other measurements than shown here? Please do not hesitate to contact us. FritsJurgens has an on-site testing facility which enables us to determine whether our systems are suitable for your specific situation.

# SYSTEM 3 MODEL SELECTOR

