

# BL015T | Sliding door lock with finger pull

Bonaiti of Italy



The BL015T combines a finger pull and lock system that would otherwise require two separate units. Suitable for both commercial and residential projects. The concealed locking mechanism doesn't detract from the flush finish of a cavity door.

### Clean and consistent

Thanks to the integrated finger pull, the BL015T allows a minimalist design on the door panel, it's more elegant with its flush front plate. The innovative finger pull allows an ergonomic and pleasant grip.

As an integrated unit the BL015T only requires one point of milling on the door edge.

### Secure latching every time

Bonaiti's legendary security is again featured in the BL015T with its smooth and precise movement always allowing the hooking of the striking plate. The hook latch grabs the inside of the striker cup holding the door firmly and securely in place.

### Match with a range of Bellevue privacy flush pulls

The BL015T is compatible with a wide variety of flush pulls using an 8mm square bar, including those stocked locally at Bellevue.

### Functionality

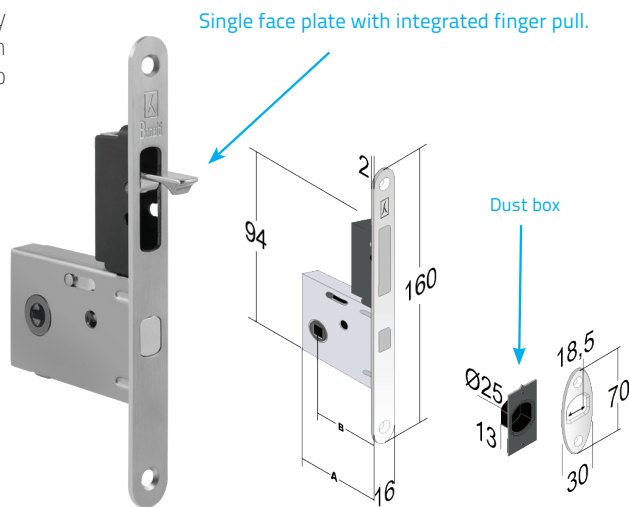
For fully recessed cavity sliding doors, the integrated flush finger pull allows easy retrieval from the cavity of the door.

### Reliability

Tested to over 400,000 cycles - totally reliable. With over 10 years of in market product experience built into every unit. Made 100% in Italy.



A =	67mm
B =	50mm
Hub =	8mm



### Door Suitability:

Door Thickness: 34mm + timber doors only

### Available Finishes:

- BZ = Bronze
- CR = Polished Chrome
- SC = Satin Chrome
- MB = Matt Black
- PB = Polished Brass
- SN = Satin Nickel

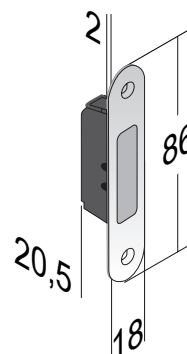
### Specification Codes:

BL015T - Finish

All measurements in mm

# BFP4X | Sliding door finger pull

Bonaiti of Italy



### Door Suitability:

timber doors

### Available Finishes:

- BZ = Bronze
- CR = Polished Chrome
- SC = Satin Chrome
- MB = Matt Black
- PB = Polished Brass
- SN = Satin Nickel

### Specification Codes:

BFP4X - Finish