



**BELLEVUE**  
ARCHITECTURAL

## *New Products*

- Schall-Ex® L15/30 WS pivot | Drop seal for **pivot** doors
- Schall-Ex® L8/30 WS | **8mm** thick drop seal for swing doors



## ATHMER DROP SEALS

Adjustable drop seals for pivot & hinged doors  
100% made in Germany



+61 3 9571 5666



[www.bellevuearch.com.au](http://www.bellevuearch.com.au)



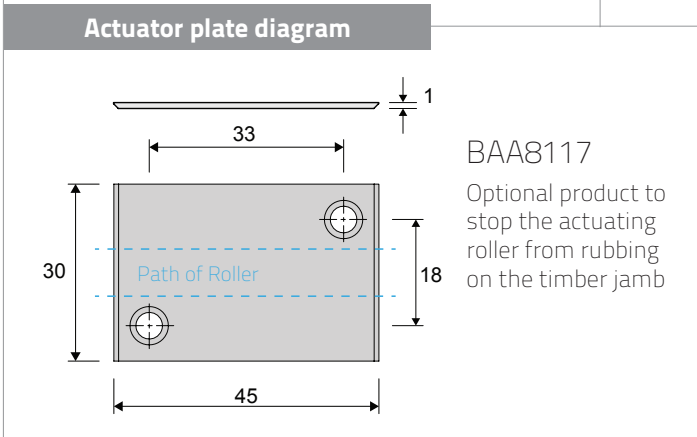
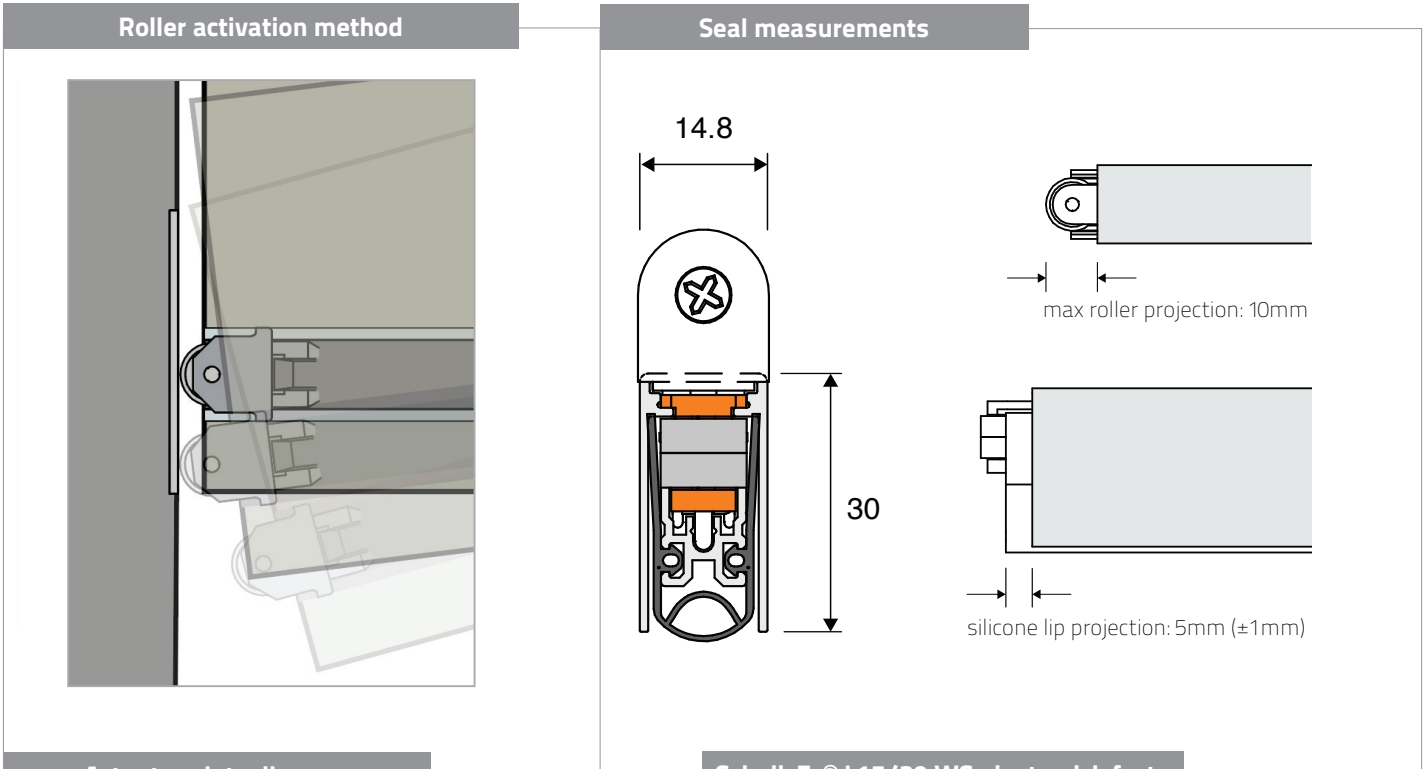
[info@bellevuearch.com.au](mailto:info@bellevuearch.com.au)



[instagram.com/  
bellevue\\_architectural](https://www.instagram.com/bellevue_architectural)

# Schall-Ex® L15/30 WS pivot drop seal technical data

Aluminium & industrial grade silicone: Made in Germany



- ### Schall-Ex® L15/30 WS pivot quick facts
- Tested to 1,000,000 cycles
  - Specifically designed for pivot doors
  - Maximum seal drop of up to 20mm
  - 100% Made in Germany for over 50 years
  - Suitable for high frequency opening doors
  - Parallel actuation & self-levelling mechanism
  - Designed for pivot doors swinging 90 or 180 degrees
  - Made from industrial strength silicone & aluminium
  - Suitable for internal & external (under cover) locations
  - Suitable for residential, commercial & industrial environments

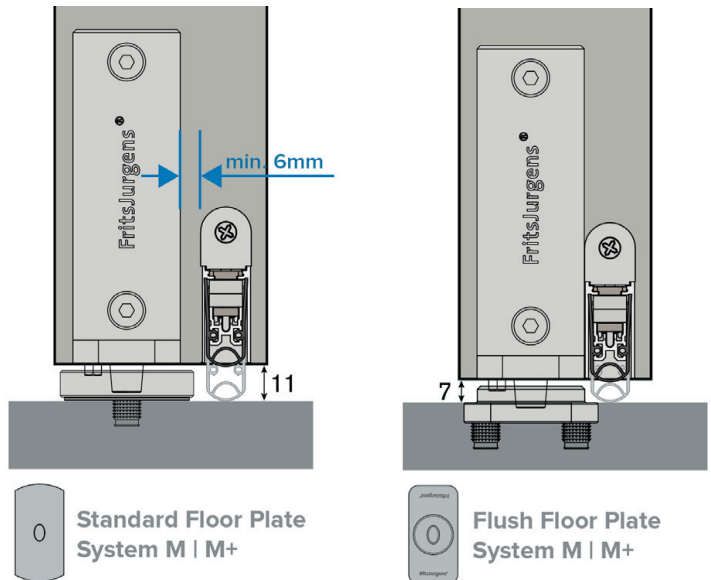
**Seal position when using Fritsjurgens floor pate options.  
Can be used with any pivot system, subject to door thickness.**

**NOTE :**

When specifying this drop seal with a Fritsjurgens System M or M+ pivot hinge and the standard floor plate, a minimum of 6mm is required between the face of the bottom pivot body to the face of the drop seal profile in order to avoid having the silicone collide with the pivot floorplate when the drop seal deploys.

With the Fritsjurgens flush floor plate, no minimum distance is required.

*Can be used with any pivot system, subject to door thickness.*

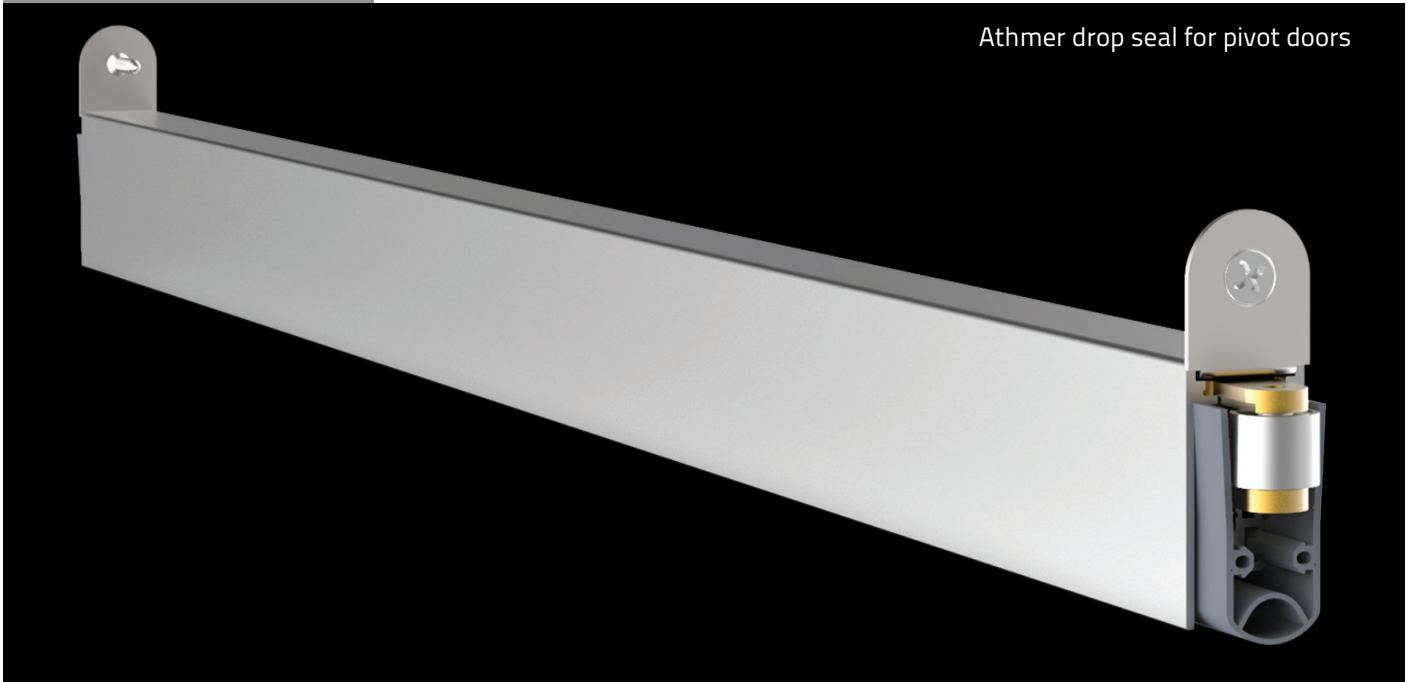


# Schall-Ex® L15/30 WS pivot drop deal functional data

## Aluminium & industrial grade silicone: Made in Germany

### Schall-Ex® L15/30 WS pivot

Athmer drop seal for pivot doors



## New Product

Max length up to 2000mm

Bellevue Architectural is proud to introduce the Schall-Ex® L15/30 WS pivot drop seal specifically designed for pivot doors.

Made by Athmer in Germany and stocked locally, this new drop seal addresses one of the biggest issues associated with pivot doors, namely how do you seal them?

Until now, traditional drop seals have been fouled by the floor spring hardware or the nature of how the unit engages. These and other issues have now been addressed by the very clever adjustable roller actuator,

thanks to Athmer. The actuator has been designed to engage the drop seal not by pressing against a specific spot on the jamb, but rather, by rolling against an area of the jamb.

This difference in engagement of the seal can't be understated. The roller actuator allows the Athmer Schall-Ex® L15/30 WS Pivot to smoothly engage the seal and not create pressure on a traditional drop seal actuator that cannot cater for pivot door movement which is different than traditional hinged swing door movement.

The Athmer Schall-Ex® L15/30 WS Pivot is available in multiple lengths up to 2000mm and is designed to be used at the top of the door and the bottom, providing sealing of the door top & bottom.

By combining the Schall-Ex® L15/30 WS Pivot with the Athmer magnetic side strips, you can achieve a complete door seal. Something that has been so hard to achieve.

Athmer by Bellevue Architectural, smart architectural products.

### Schall-Ex® L15/30 WS Pivot quick facts

Door type	Timber pivot doors
Max seal drop	20mm
Profile	15x30mm, anodized aluminium
Max. length	2000mm
Cut Back length	Variable. See descriptions
Positioning	Top and /or bottom of door
Drop actuator	Single-actuating roller
Adjustability	Max. roll protrusion 10mm
Noise	Sound reduction of 50dB over a 12mm gap
Movement	Parallel actuation & self-levelling
Seal colour	Grey
Manufacturing	100% Made in Germany
Reliability	5 Year manufacturer's guarantee Tested to 1,000,000 cycles

### Order codes & available lengths

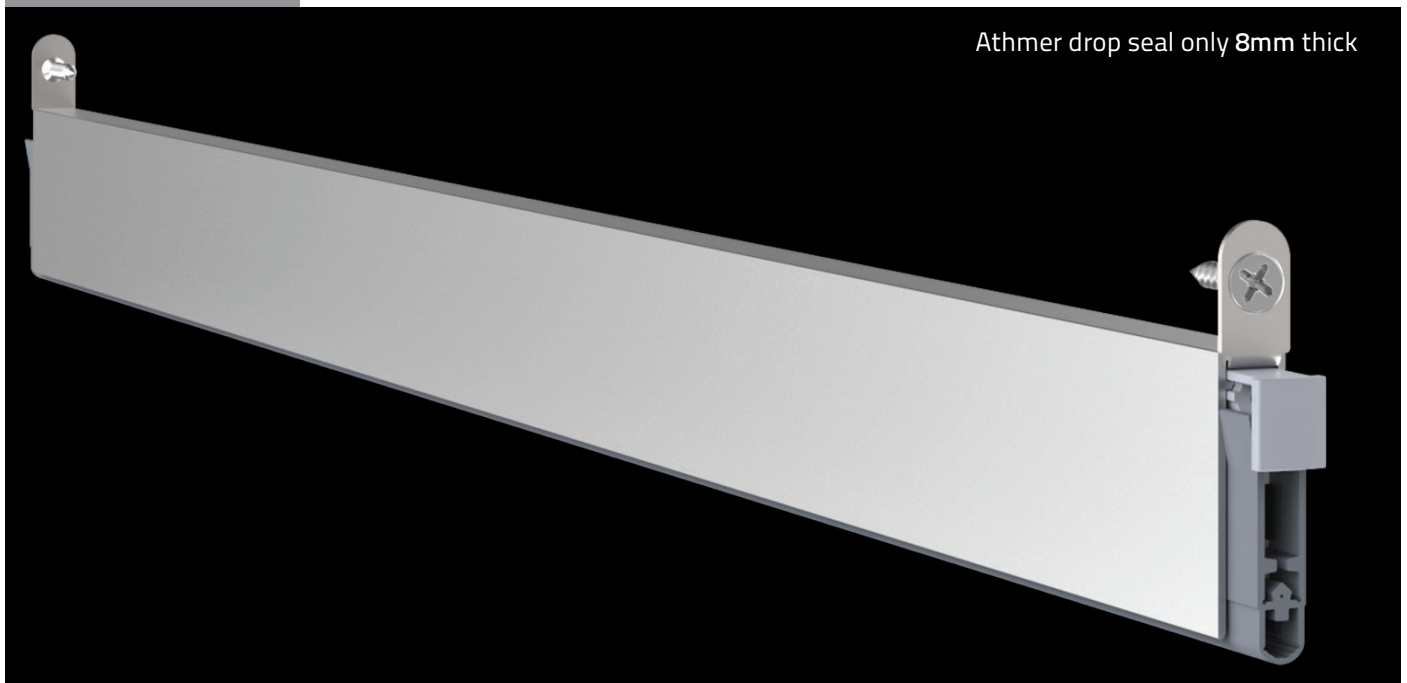
BAA946/0820	Schall-Ex® L-15/30 WS Pivot 820mm can be shortened to 635mm
BAA946/0920	Schall-Ex® L-15/30 WS Pivot 920mm can be shortened to 760mm
BAA946/1070	Schall-Ex® L-15/30 WS Pivot 1070mm can be shortened to 885mm
BAA946/1333	Schall-Ex® L-15/30 WS Pivot 1333mm can be shortened to 1135mm
BAA946/1583	Schall-Ex® L-15/30 WS Pivot 1583mm can be shortened to 1385mm
BAA946/1708	Schall-Ex® L-15/30 WS Pivot 1708mm can be shortened to 1510mm
BAA946/1833	Schall-Ex® L-15/30 WS Pivot 1833mm can be shortened to 1635mm
BAA946/2000	Schall-Ex® L-15/30 WS Pivot 2000mm can be shortened to 1885mm
BAA8117	Actuating roller plate Satin Stainless

# Schall-Ex® L8/30 WS 8mm thick drop seal

## Aluminium & industrial grade silicone: Made in Germany

Schall-Ex® L8/30 WS

Athmer drop seal only 8mm thick



### New product

Bellevue Architectural is proud to introduce the Schall-Ex® L8/30 WS drop seal specifically designed for timber swing doors.

Made by Athmer in Germany and stocked locally, this new drop seal is only **8mm** thick and available in lengths up to 2000mm.

Significantly thinner than traditional drop seals for swing doors, the Schall-Ex® L8/30 WS is ideal for thin or thick doors. With a unique actuating plate that provides more contact with the jamb than traditional drop seals, the result is a flawless movement without digging holes into the jamb.

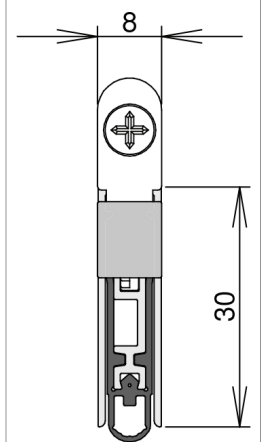
Engineered to operate flawlessly on lengths up to 2000mm, the Schall-Ex® L8/30 WS drop seal is a practical and ideal sealing solution for all doors up to 2000mm wide. Made from industrial strength silicone & aluminium ensures peace of mind and reliability.

Athmer by Bellevue Architectural, smart architectural products.

Max length up to 2000mm



#### Seal Measurements



#### Schall-Ex® L8/30 WS quick facts

Door type	Timber swing doors
Max seal drop	20mm
Profile	8x30mm, anodized aluminium
Max. length	2000mm
Cut back length	Variable. See descriptions
Positioning	Bottom of door
Drop actuator	Single sided
Adjustability	Max. protrusion 10mm
Movement	Parallel actuation & self-levelling
Seal colour	Grey
Manufacturing	100% Made in Germany
Reliability	5 Year manufacturer's guarantee Tested to 1,000,000 cycles

#### Order codes & available lengths

BAA1000/0820	Schall-Ex® L-8/30 WS 820mm can be shortened to 648mm
BAA1000/0920	Schall-Ex® L-8/30 WS 920mm can be shortened to 798mm
BAA1000/1070	Schall-Ex® L-8/30 WS 1070mm can be shortened to 923mm
BAA1000/1220	Schall-Ex® L-8/30 WS 1220mm can be shortened to 1207mm
BAA1000/1375	Schall-Ex® L-8/30 WS 1375mm can be shortened to 1307mm
BAA1000/1500	Schall-Ex® L-8/30 WS 1500mm can be shortened to 1457mm
BAA1000/1625	Schall-Ex® L-8/30 WS 1625mm can be shortened to 1575mm
BAA1000/1833	Schall-Ex® L-8/30 WS 1833mm can be shortened to 1616mm
BAA1000/2000	Schall-Ex® L-8/30 WS 2000mm can be shortened to 1877mm

Athmer drop seal range: Catalogue 1a/21