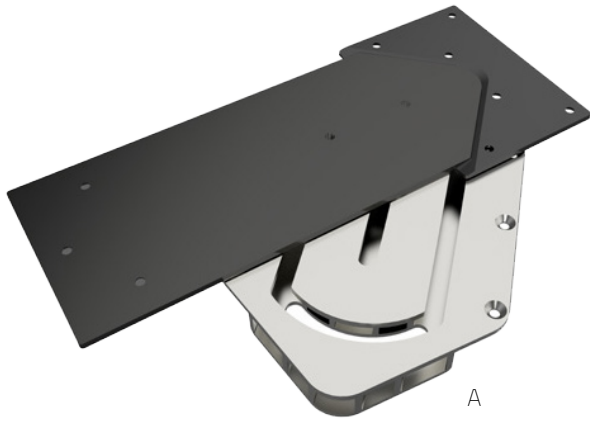
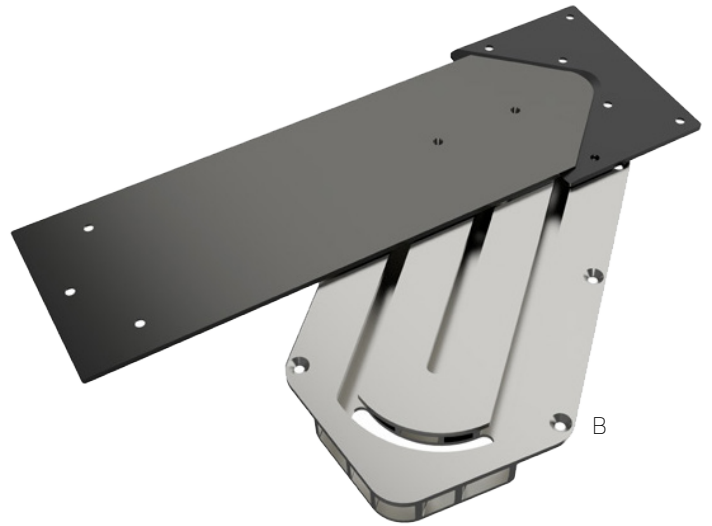


## Upper Rotation Mechanism



A



B

### Model: Upper Rotation

(A) BAC3040 | desk width 36 - 46cm

(B) BAC4070 | desk width 48 - 70cm

For technical details see pages 16 - 21

## Upper Rotation Movement

01.



02.



03.



04.



05.



Mirrored application