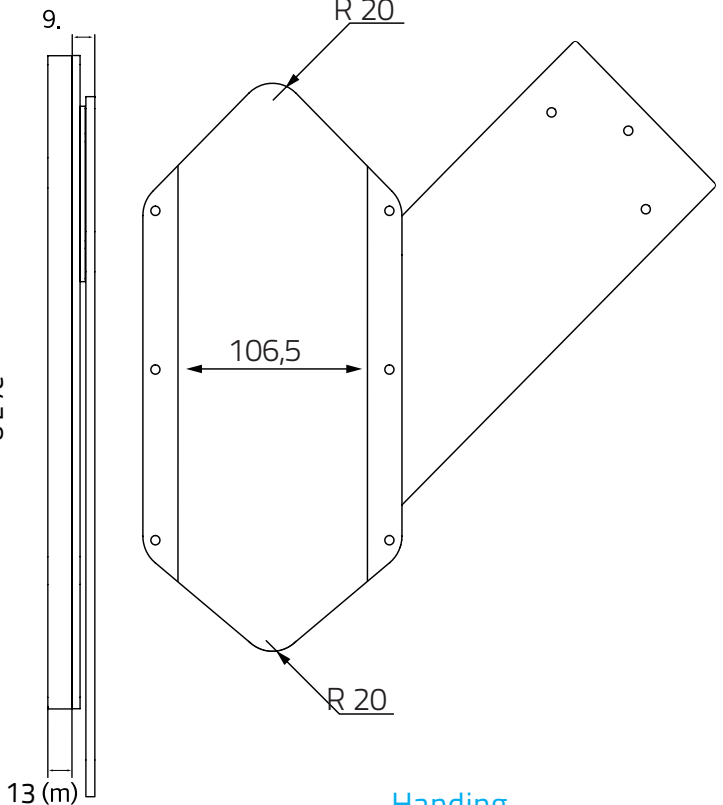
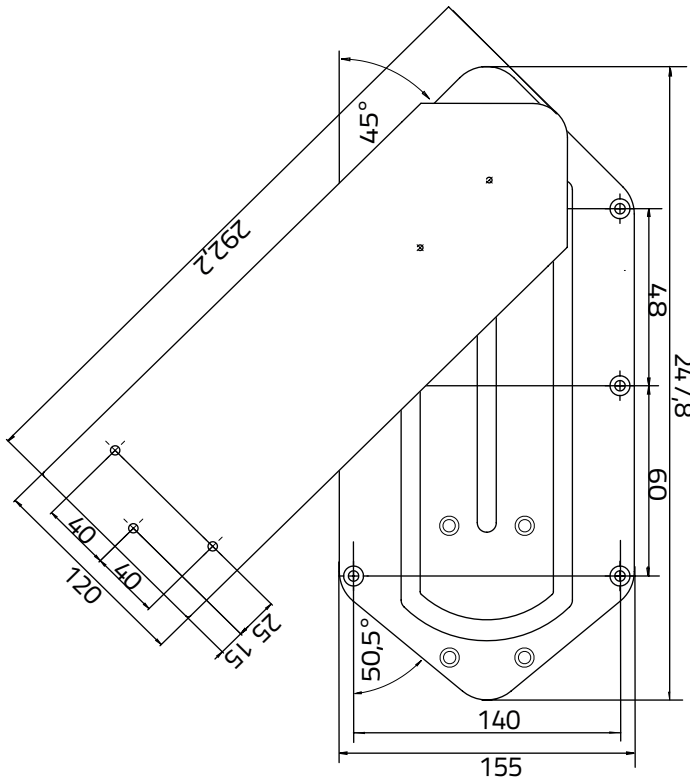


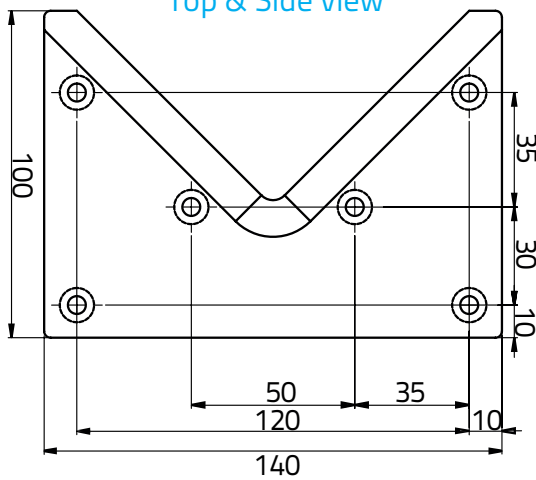
BAC3040 | Upper Rotation System

Technical & Dimensional Information

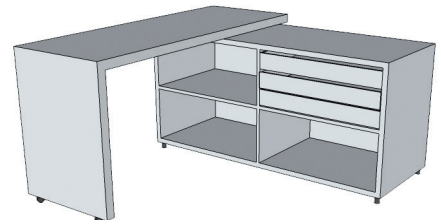
Mechanism - Main Body top and side view



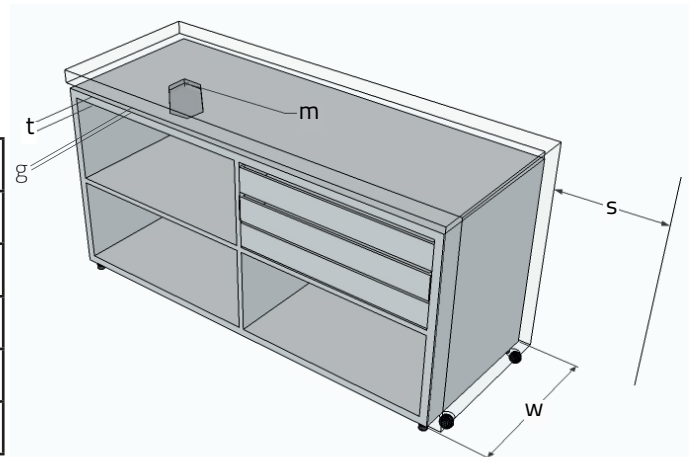
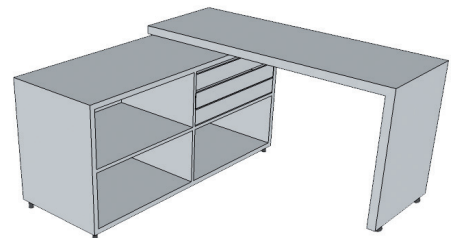
Top & Side view



Handing Swing left



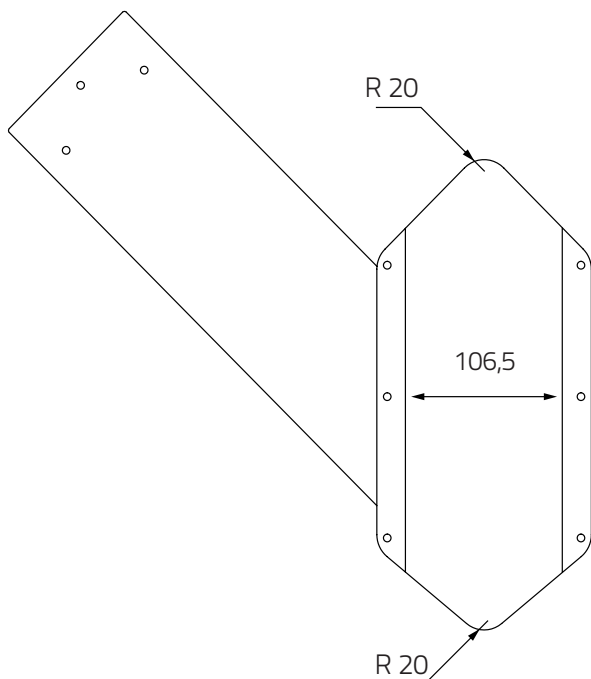
Swing right



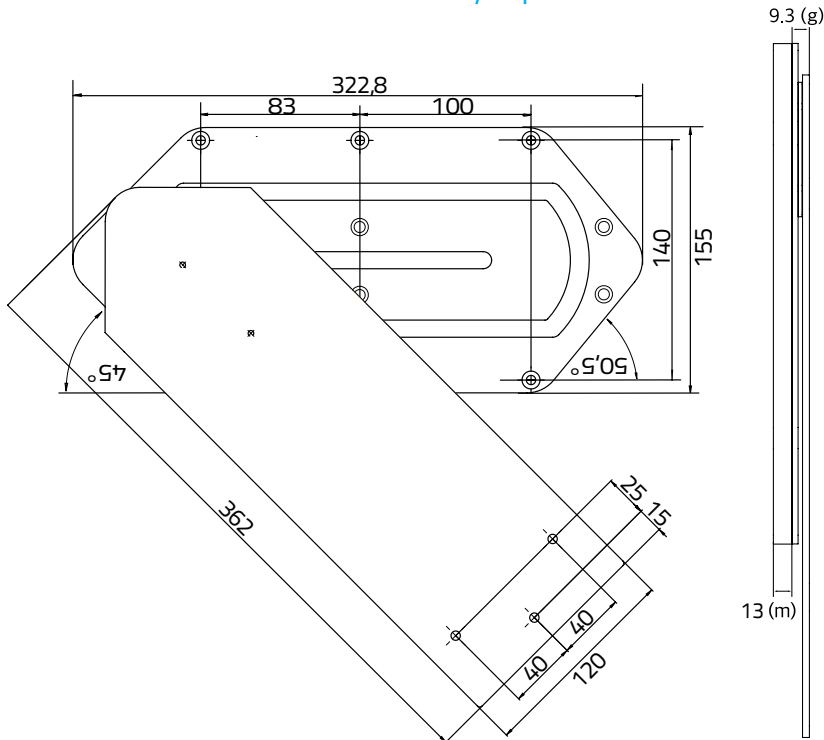
Applicable furniture width of desk (w)	360-460 mm
Minimum furniture thickness (t)	18 mm
Milling depth for installation (m)	13 mm
Required clearing distance (s)	150 mm
Gap between furniture parts (G)	9.3 mm
Weight	2.20 Kg

BAC4070 | Upper Rotation System Technical & Dimensional Information

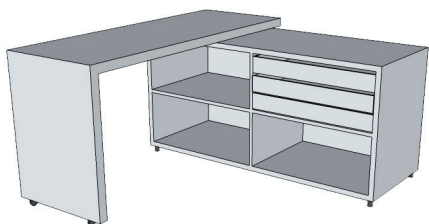
Under view



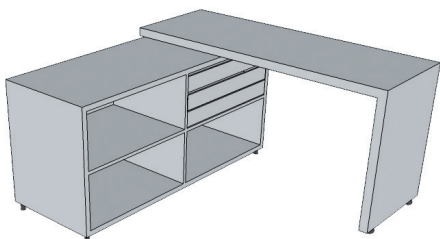
Mechanism - Main Body top and side view



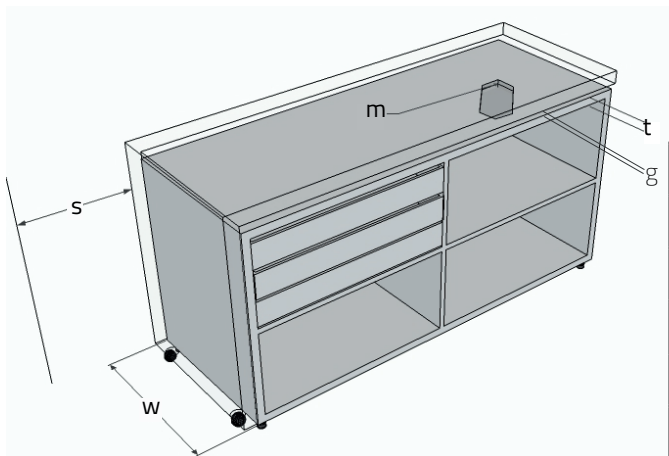
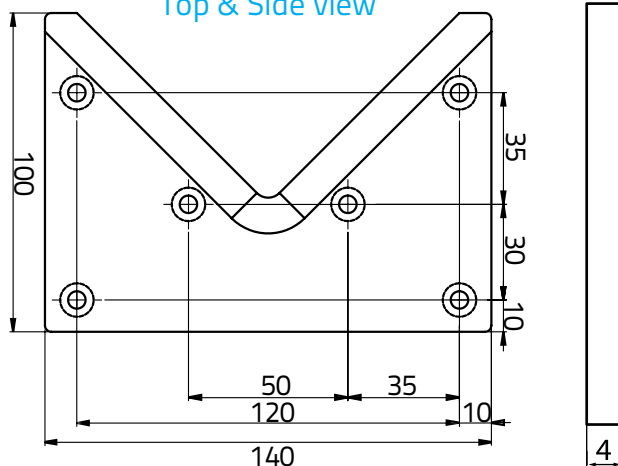
Handing
Swing left



Swing right



Top & Side view



Applicable furniture width of desk (w)	480-700 mm
Minimum furniture thickness (t)	18 mm
Milling depth for installation (m)	13 mm
Required clearing distance (s)	240 mm
Gap between furniture parts (G)	9.3 mm
Weight	3.0 Kg