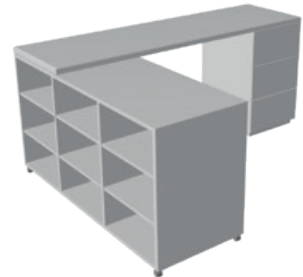
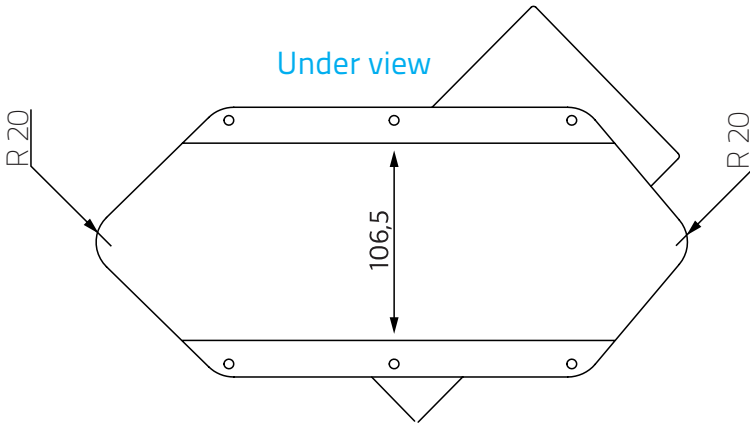
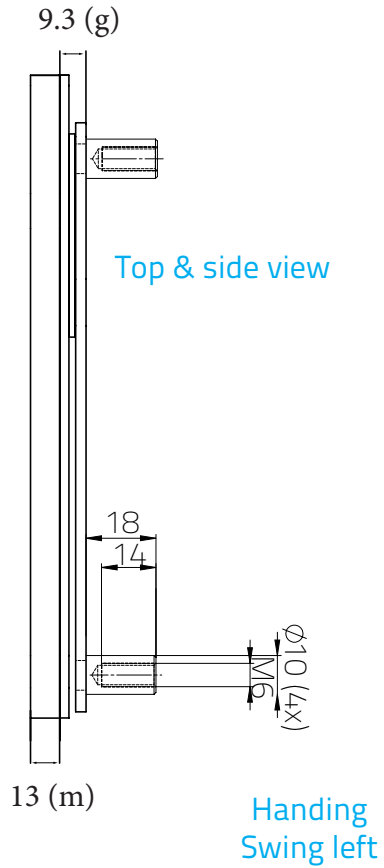
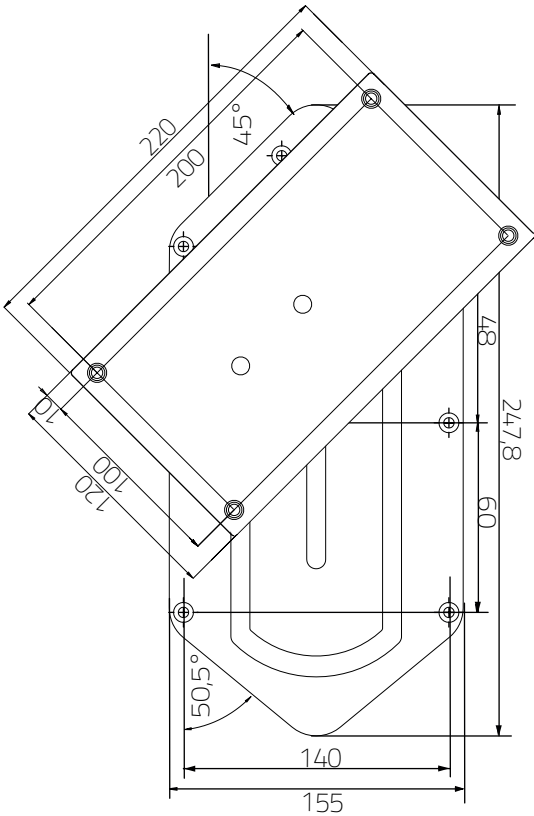


BAC3040R | Lower Rotation System

Technical & Dimensional Information

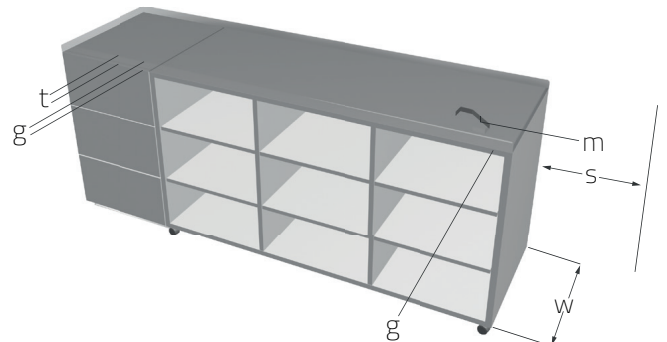
Mechanism - Main Body top and side view



Swing right

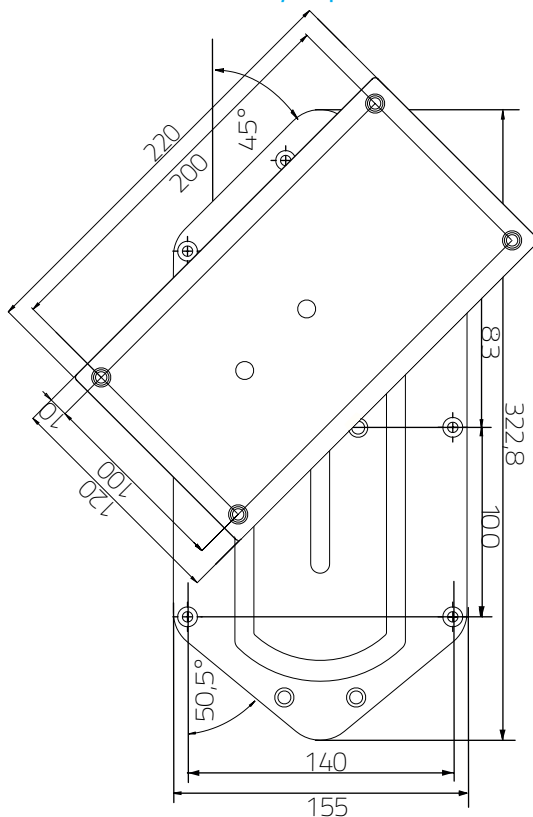
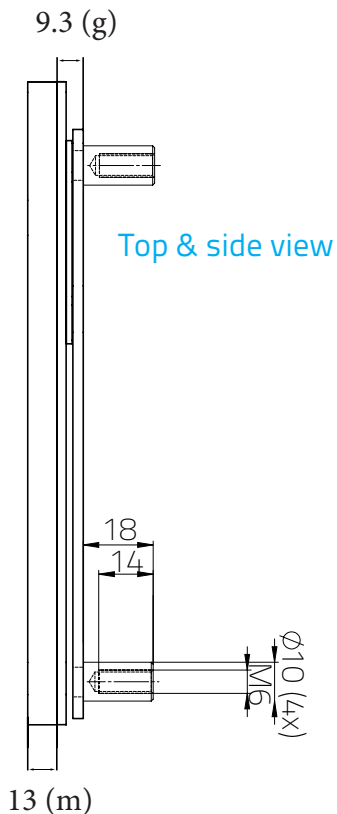


Width of rotating parts (w)	360-460 mm
Minimum furniture thickness (t)	18 mm
Milling depth for installation (m)	13 mm
Required clearing distance (s)	$s = 0,5 \times w$
Gap between furniture parts (g)	9.3 mm
Weight	2.0 Kg



BAC4070R | Lower Rotation System Technical & Dimensional Information

Mechanism - Main Body top and side view



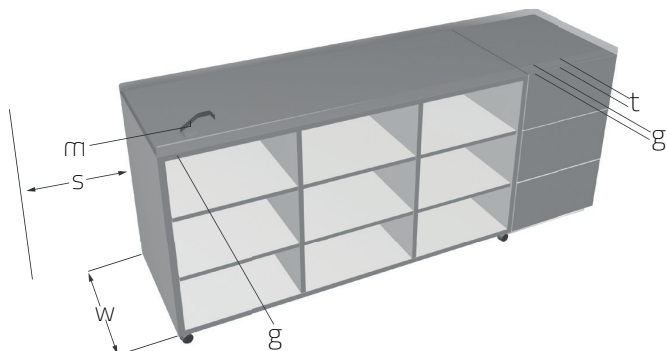
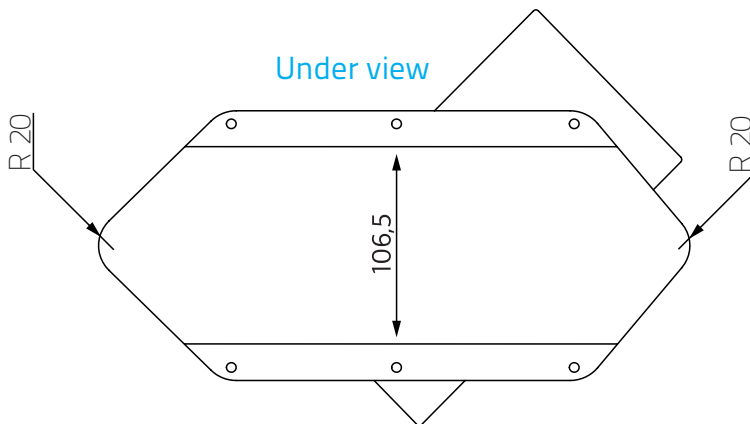
Handing
Swing right



Swing right



Under view



Width of rotating parts (w)	360-460 mm
Minimum furniture thickness (t)	18 mm
Milling depth for installation (m)	13 mm
Required clearing distance (s)	$s = 0,5 \times w$
Gap between furniture parts (g)	9.3 mm
Weight	2.3 Kg