




**BELLEVUE**  
ARCHITECTURAL


## CASETUR SPACE SAVING FURNITURE SYSTEMS

Left, Right, Center and around.  
Space saving made easy  
100% made in Germany

 +61 3 9571 5666

 [www.bellevuearch.com.au](http://www.bellevuearch.com.au)

 [info@bellevuearch.com.au](mailto:info@bellevuearch.com.au)

 [instagram.com/  
bellevue\\_architectural](https://www.instagram.com/bellevue_architectural)

## About Bellevue Architectural

For over 40 years, the name Bellevue Architectural (formerly Bellevue Imports) has always been synonymous with providing the latest in Architectural designer fittings from the European marketplace. Bellevue's products create visual attraction and differentiation, without compromising quality, design or affordability. Bellevue's products have been used all over Australia and New Zealand; from small projects through to large. Bellevue's products are designed and manufactured by people from within the design industry; people who truly believe that design and quality is an integral part of creating something special and unique.

Today Bellevue is proud to present the new Casetur range of space saving furniture systems. 100% Made in Germany; they are used in a variety of applications where furniture space is at a premium. The Casetur range of space saving furniture systems have been designed to increase the amount of furniture volume, and increase usable living space.

Located in Munich Germany, Casetur have become a leader in the space saving furnishing sector, offering a range of key solutions to a range of space saving needs. Casetur's leading product is the much-awarded rotation range of products, whose main feature is to make it possible for surfaces or furniture parts to be rotated horizontally resulting in a unique use of space.

The incorporation of the Casetur mechanism will add value to any environment where space is at a premium. Using the Casetur mechanisms pivoting functionality your kitchen bench or desk can be stowed away when not in use. More amazingly, this multi-purpose furniture works when placed in corners.

## Explore the world of space-saving furniture



# Product Index

## General Information

About Casetur and insitue photos Pg. 4 - 7

## Uper & Lower Rotation Product Overview Pg. 9

BACM3040 Uper Rotation System for desk widths of 36 - 46 cm Pg. 10  
 BACM4070 Uper Rotation System for desk widths of 48 - 70 cm Pg. 10

BACM3040-R Lower Rotation System for desk widths of 36 - 46 cm Pg. 11  
 BACM4070-R Lower Rotation System for desk widths of 48 - 70 cm Pg. 11

## Sliding & Rotation Product Overview Pg. 12

BACSR Sliding & Rotation for Desk width 45, 55, 60, 65 and 70 cm Pg. 13

## Roto Product Overview Pg. 12

BACR Rotation without a suporting leg Pg. 14

## Technical information Pg. 16

BACM3040 Uper Rotation System technical drawings Pg. 16  
 BACM4070 Uper Rotation System technical drawings Pg. 17  
 BACM3040R Lower Rotation System technical drawings Pg. 18  
 BACM4070R Lower Rotation System technical drawings Pg. 19  
 BACSR Sliding & Rotation System technical drawings Pg. 20  
 BACR Roto System technical drawings Pg. 21





# About Casetur

## The need for space-saving furniture

In 2011, after moving to Munich, the company founder, Mr. Benjamin Richard Halde, faced a challenge: he needed a stowaway table for a side shelf. Despite searching through various hardware supplier catalogs, both local and international, Benjamin couldn't find a suitable solution. The available options like rotating plates or extendable slides didn't address his specific problem. Realizing the need for a custom solution, he took it upon himself to invent the required product, giving birth to Casetur.

Benjamin's objective was to design a simple mechanism that allowed the table to rotate once enough clearance from obstructing walls was achieved. It needed to operate solely within a single plane to achieve the desired outcome. After working out the movement concept's geometry, he created several prototypes for testing. In early 2012, he filed a patent for his invention and continued refining the product through customer testing and experience.

In 2015, Benjamin participated in the German inventors trade fair, where he won a bronze medal for his invention despite strong competition. Building on this recognition and further product development, he showcased Casetur for the first time as an exhibitor at the furniture components trade fair "ZOW" in Germany and later at W16 trade fair in the UK, which received a W16 fair award.

Recognizing the product's potential and its increasing international interest, the Swiss hardware distributor for furniture components, OPO, eagerly included it in their product catalog, solidifying Casetur's success in the space-saving market.

In 2018, Benjamin's sisters joined Casetur, making the company a true family affair. Since then, the company has grown from strength to strength, actively marketing and selling the Casetur product range in over 30 countries worldwide. Casetur's products have been successfully used in notable projects in locations like Hong Kong, Munich, and Canada.

*Casetur, a family business that understands that space matters.*



# Now, It's Your Turn

Explore the world of  
space-saving furniture







*“When applying our solutions, customers feel a higher comfort and flexibility in their current living space, and this is exactly why we do what we do.”*

Benjamin Richard Halde  
Managing Director and Founder



## Upper Rotation Systems

The **Uper Rotation System** has been designed to swivel and pivot a platform **Over** the fixed desk or cupboard bench top and sit in a square 90 degree position. By doing this you effectively double your usable space. Conveniently, when the extra space is no longer needed, swing the platform back and regain the space you no longer need.

The **Uper Rotation Systems** are fully concealed and are available to suite a range of desk sizes.

BACM3040 - Desk width 36 - 46 cm

BACM4070 - Desk width 48 - 70 cm



## Lower Rotation System

The **Lower Rotation System** has been designed to swivel and pivot a platform **Under** the fixed cupboard bottom section and sit in a square 90 degree position. By doing this you can utilise space which you did not have access to previously. Conveniently, when the extra space is no longer needed, swing the platform back and regain the space you no longer need.

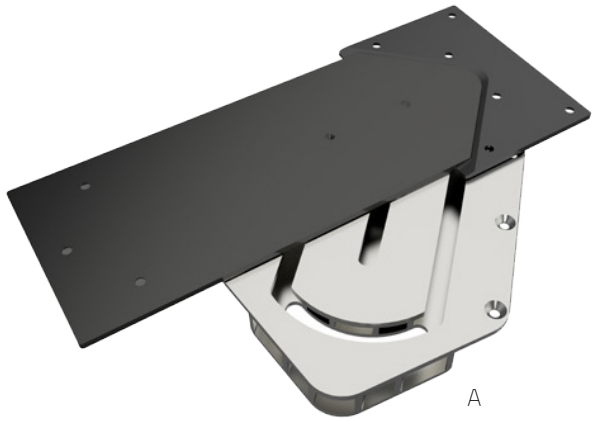
The **Lower Rotation Systems** are fully concealed and are available to suite a range of desk sizes.

BACM3040R - Desk width 36 - 46 cm

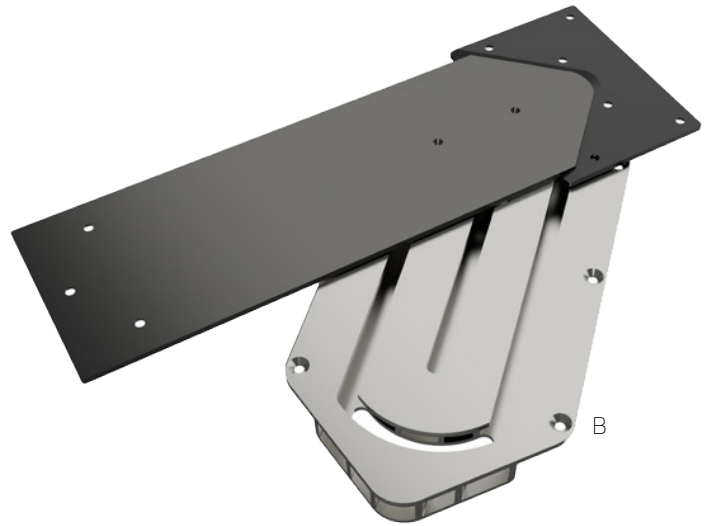
BACM4070R - Desk width 48 - 70 cm



## Upper Rotation Mechanism



A



B

### Model: Upper Rotation

(A) BAC3040 | desk width 36 - 46cm

(B) BAC4070 | desk width 48 - 70cm

For technical details see pages 16 - 21

## Upper Rotation Movement

01.



02.



03.



04.

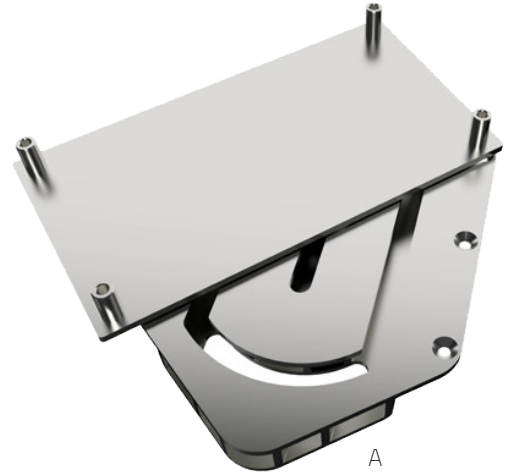


05.



Mirrored application

## Lower Rotation Mechanism



Model: Lower Rotation

(A) BAC3040R | desk width 36 - 46cm  
(B) BAC4070R | desk width 48 - 70cm

For technical details see pages 16 - 21

## Lower Rotation Movement

01.



02.



03.



04.

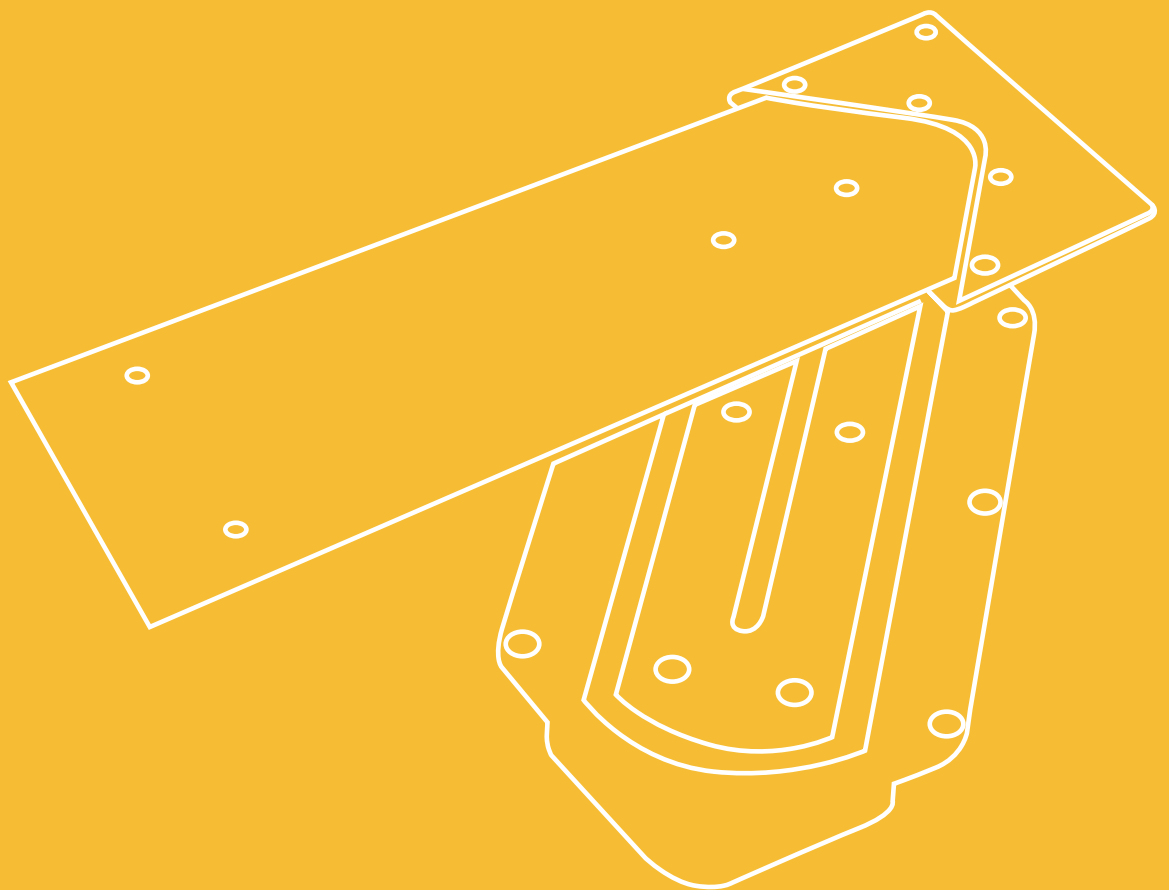


05.



Mirrored application

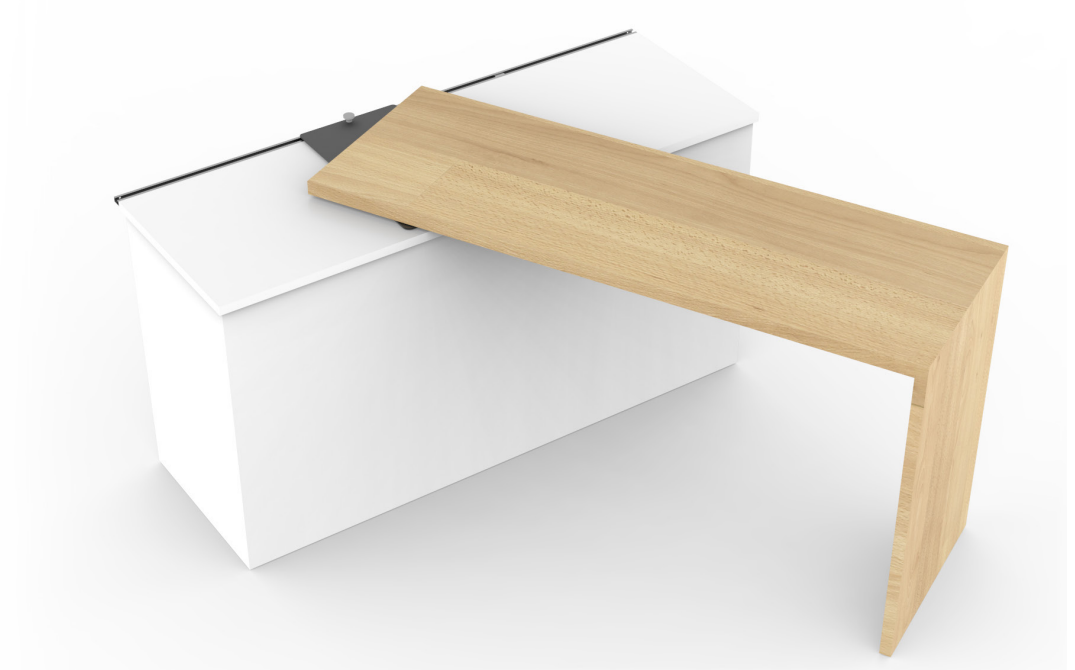
Maximising living space has never been more important. We want you to love the place you live in, and that's exactly why we create solutions that make your home feel great and comfortable.



## SLIDER | Sliding & Rotation System

The **Sliding & Rotation System** has been designed to not just swivel a platform **Over** the fixed desk or cupboard bench top but also slide the platform along its surface as well. By doing this you effectively double your usable space. Conveniently, when the extra space is no longer needed, swing and slide the platform back and regain the space you no longer need.

The **Sliding & Rotation System** is fully concealed and is available to suite a range of desk sizes.



## ROTO | Rotate System

The **Roto System** has been designed to swivel a platform *without a supporting leg* **Over** the fixed desk or cupboard top. By doing this you effectively increase your usable space. Conveniently, when the extra space is no longer needed, swing the platform back and regain the space you no longer need.

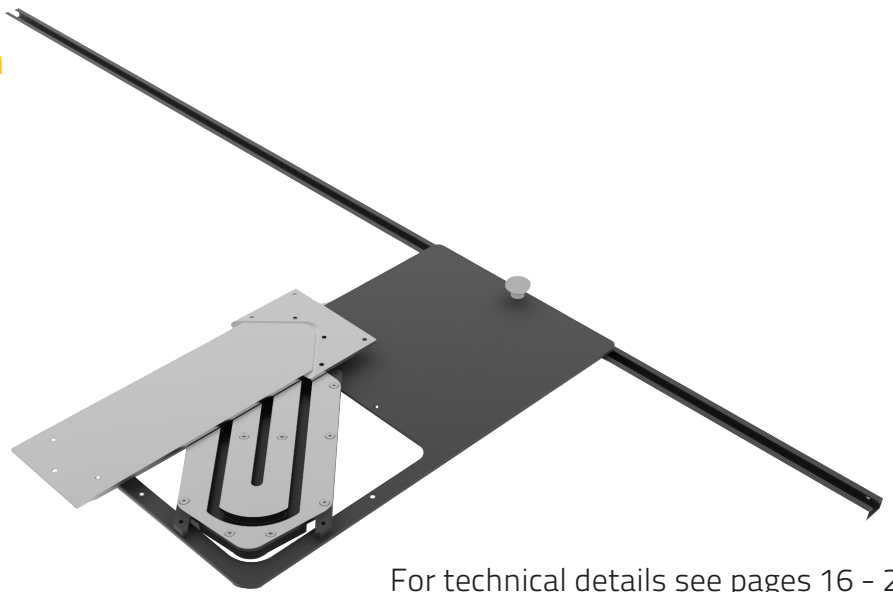
The **ROTO** is fully concealed.



## Slider | Sliding & Rotation Mechanism

### Model: Slider

- BACSR45 | desk width 45cm
- BACSR55 | desk width 55cm
- BACSR60 | desk width 60cm
- BACSR65 | desk width 65cm
- BACSR70 | desk width 70cm

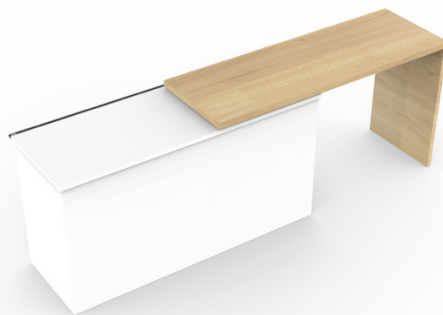


For technical details see pages 16 - 21

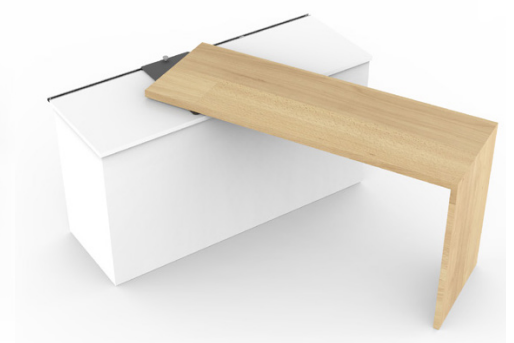
## Sliding & Rotation Movement



01.



02.



03.



04.



05.



Mirrored application

## ROTO | Rotate Mechanism

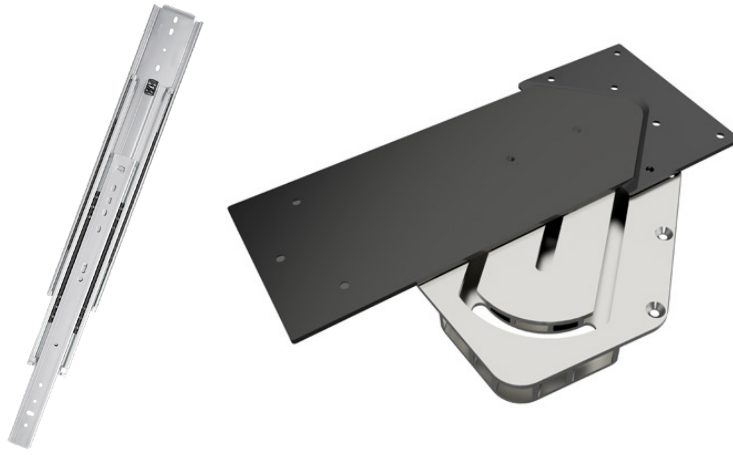
Roto Availability Q4 2023

Model: Roto

BAR60 | desk width 60cm

BAR65 | desk width 65cm

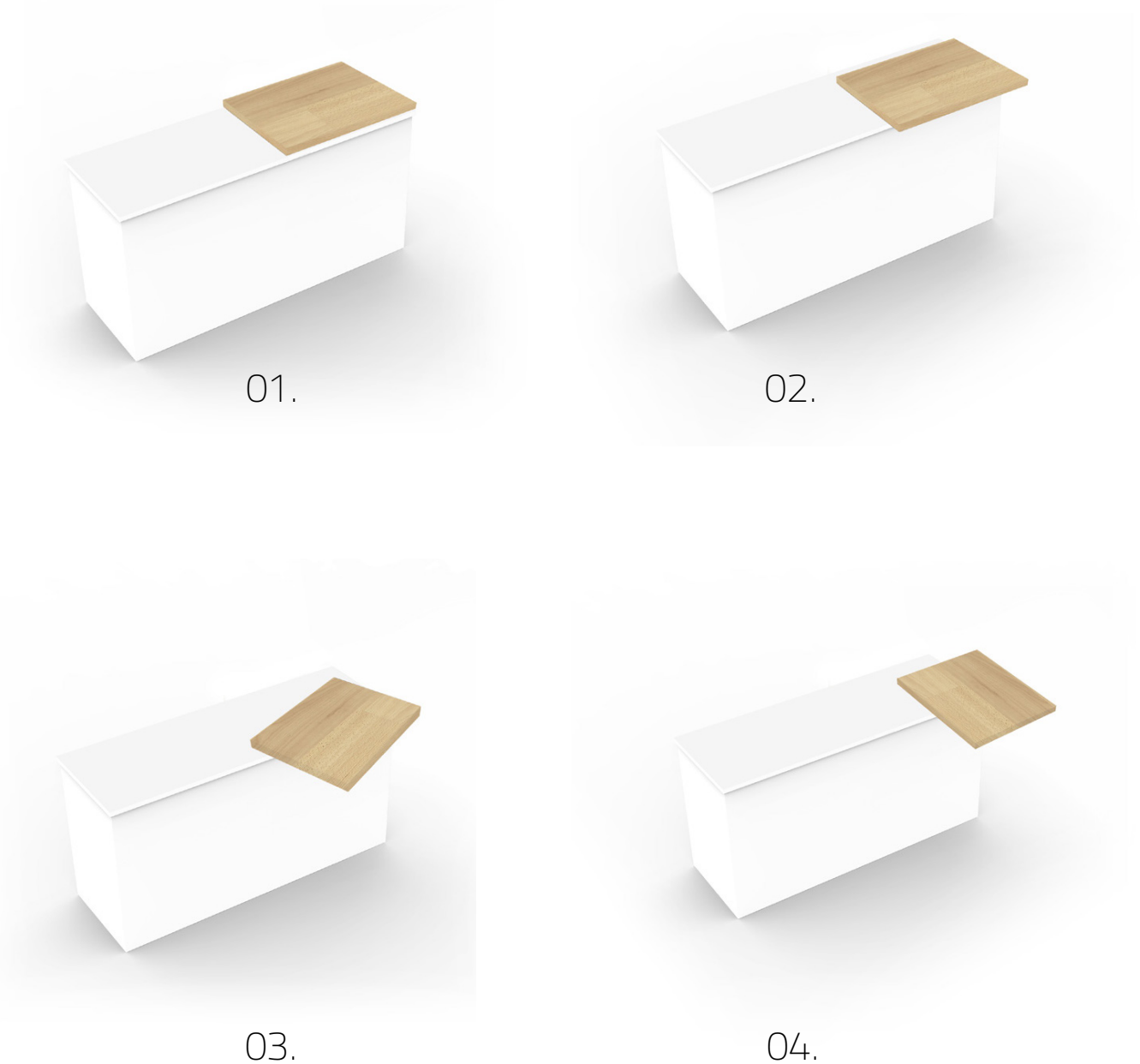
BAR70 | desk width 70cm



For technical details see pages 16 - 21

---

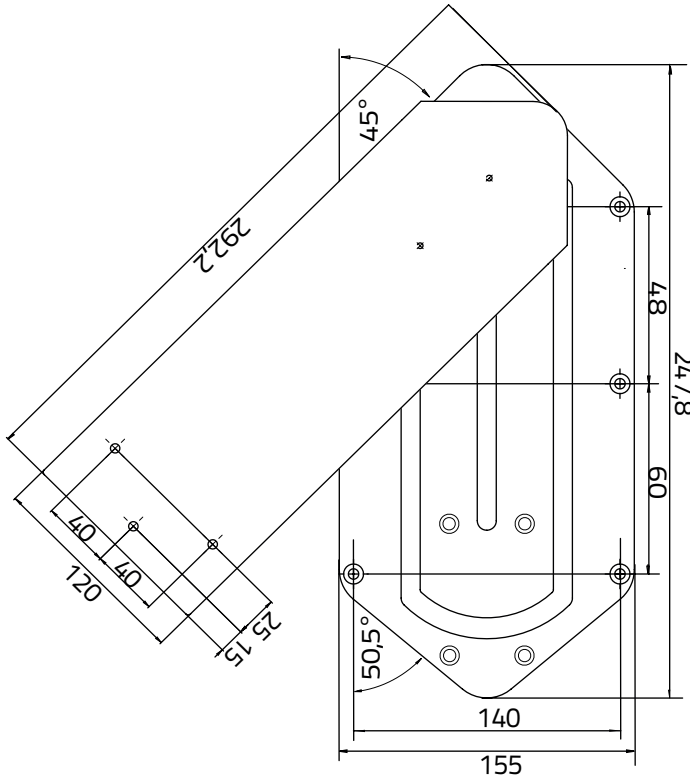
## Roto Movement



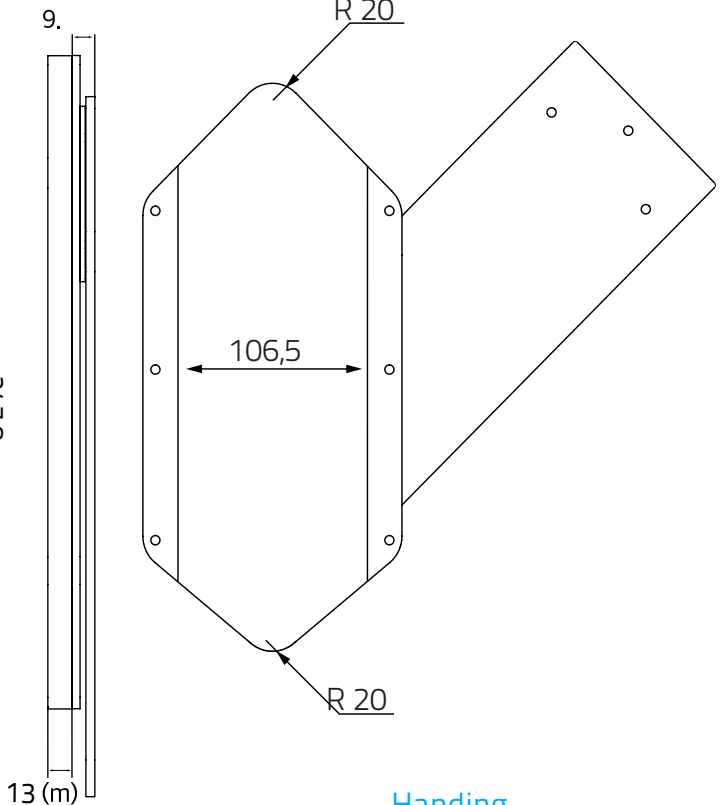
# BACM3040 | Upper Rotation System

## Technical & Dimensional Information

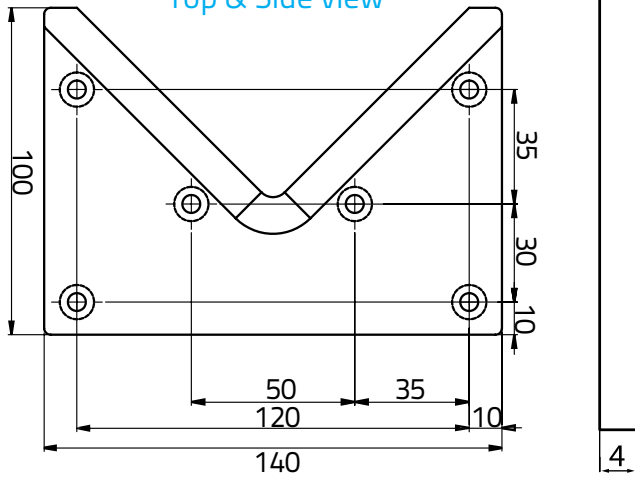
Mechanism - Main Body top and side view



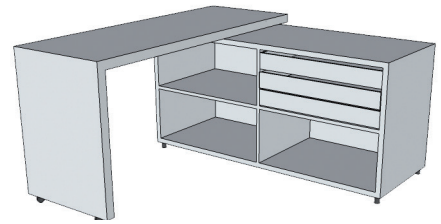
Under view



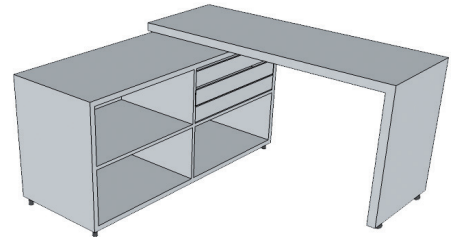
Top & Side view



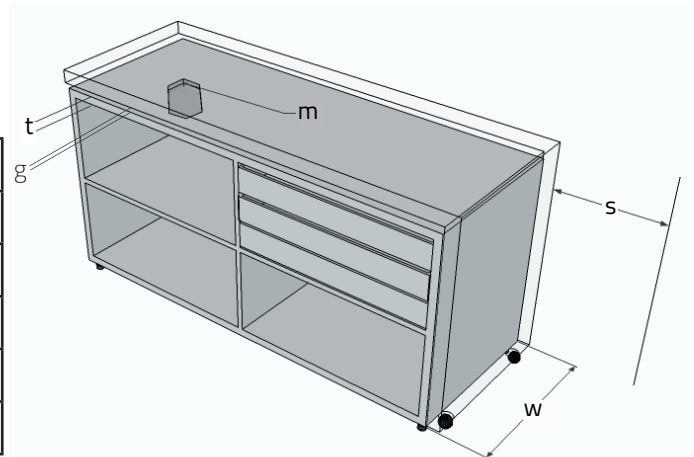
Handing Swing left



Swing right



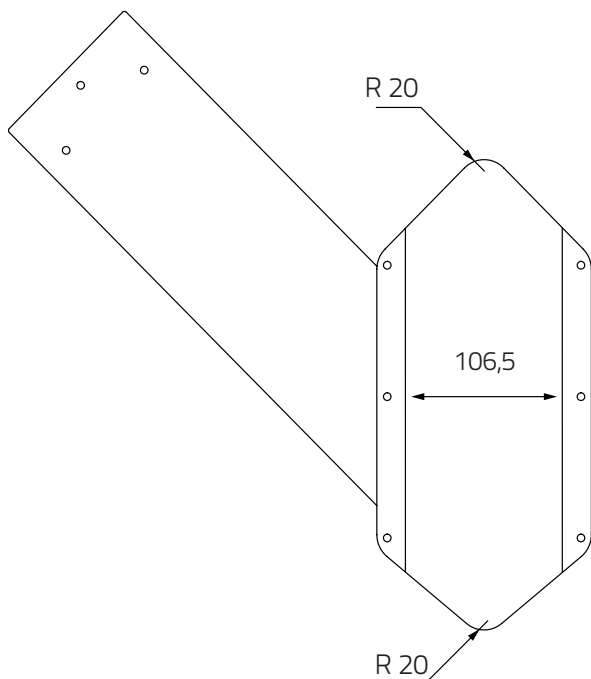
Applicable furniture width of desk (w)	360-460 mm
Minimum furniture thickness (t)	18 mm
Milling depth for installation (m)	13 mm
Required clearing distance (s)	150 mm
Gap between furniture parts (G)	9.3 mm
Weight	2.20 Kg



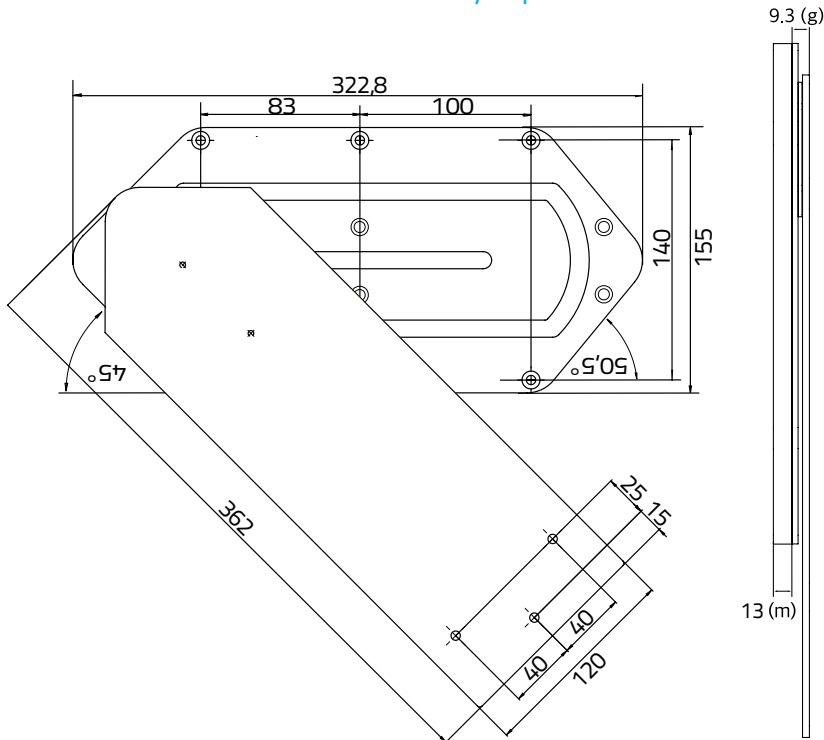


## BACM4070 | Upper Rotation System Technical & Dimensional Information

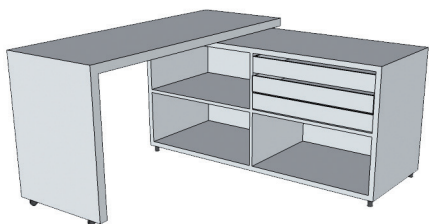
Under view



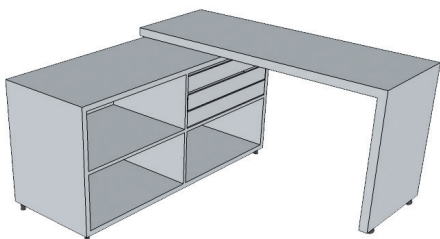
Mechanism - Main Body top and side view



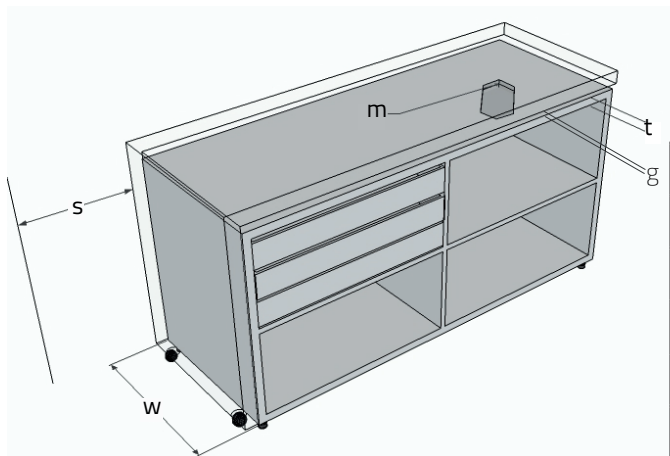
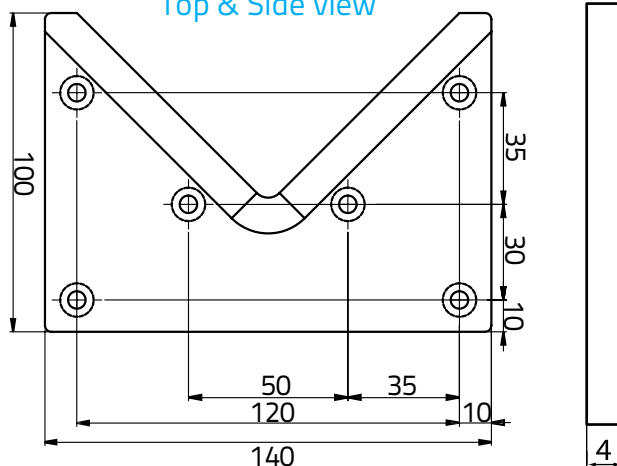
Handing  
Swing left



Swing right



Top & Side view

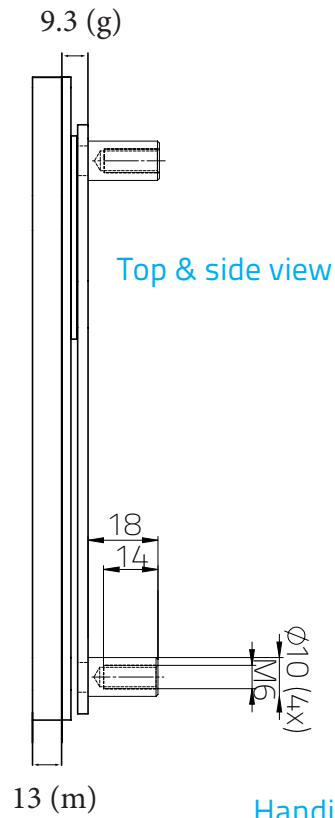
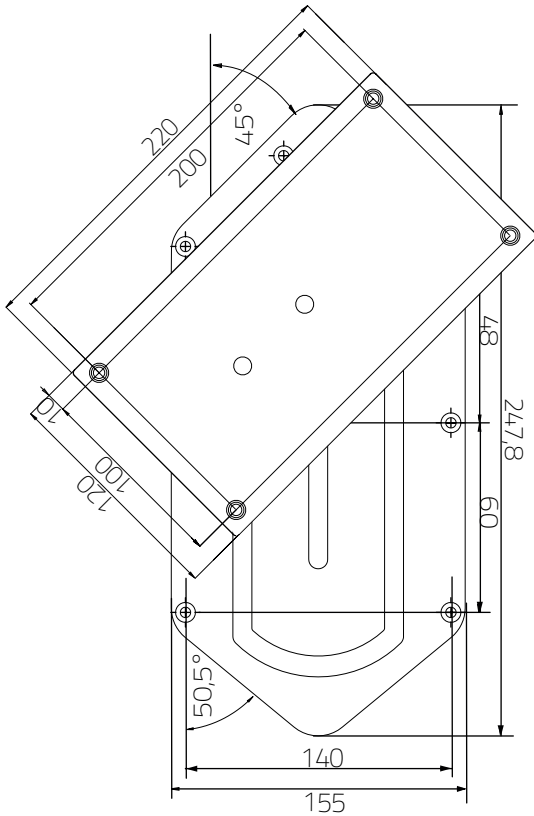


Applicable furniture width of desk (w)	480-700 mm
Minimum furniture thickness (t)	18 mm
Milling depth for installation (m)	13 mm
Required clearing distance (s)	240 mm
Gap between furniture parts (G)	9.3 mm
Weight	3.0 Kg

## BACM3040R | Lower Rotation System

### Technical & Dimensional Information

#### Mechanism - Main Body top and side view

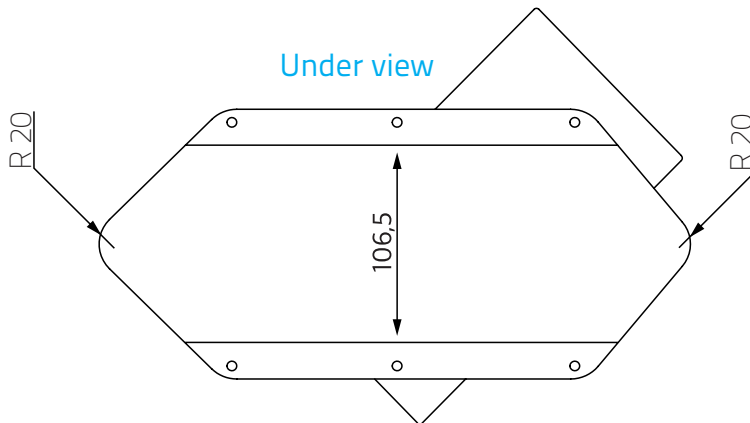


Top & side view

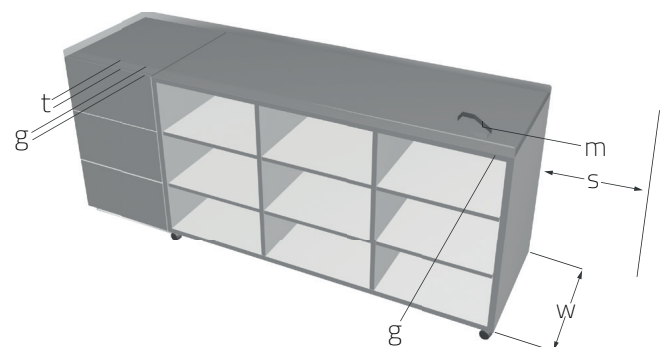
Handing  
Swing left



Swing right



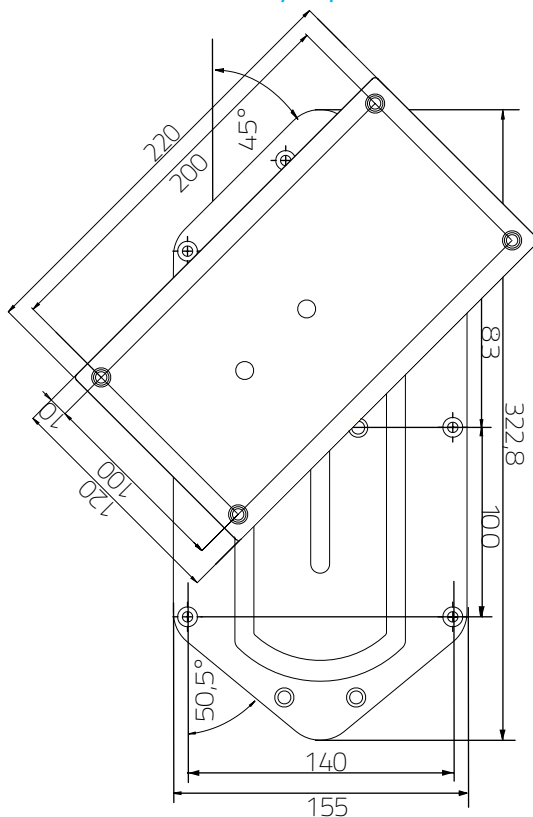
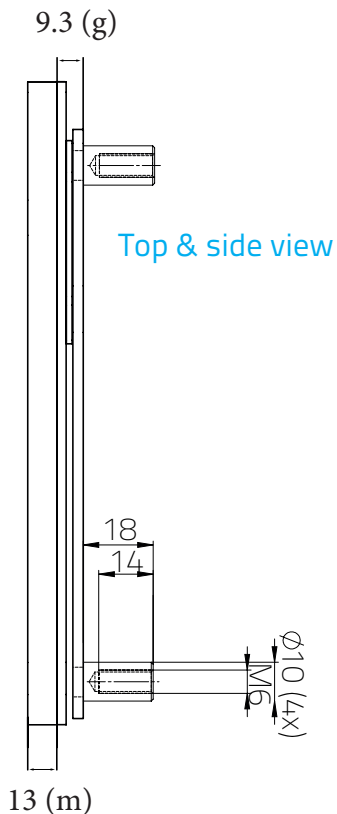
Under view



Width of rotating parts (w)	360-460 mm
Minimum furniture thickness (t)	18 mm
Milling depth for installation (m)	13 mm
Required clearing distance (s)	$s = 0,5 \times w$
Gap between furniture parts (g)	9.3 mm
Weight	2.0 Kg

## BACM4070R | Lower Rotation System Technical & Dimensional Information

Mechanism - Main Body top and side view



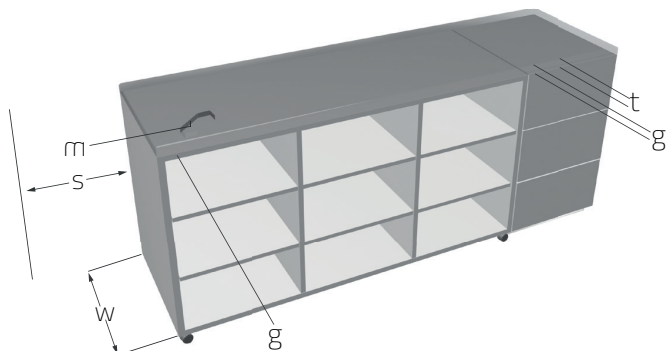
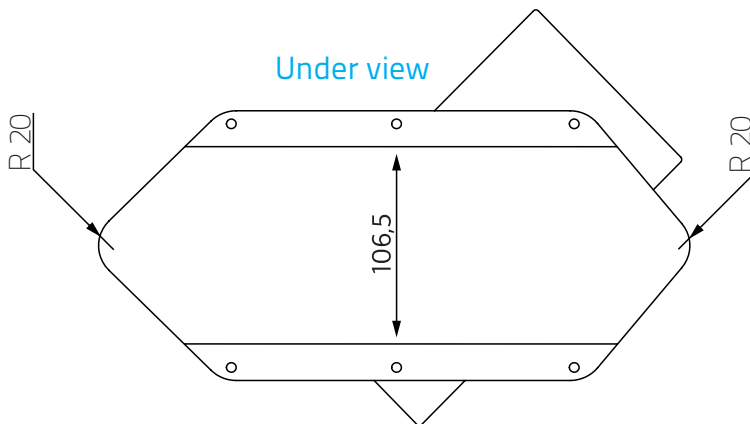
Handing  
Swing right



Swing right



Under view



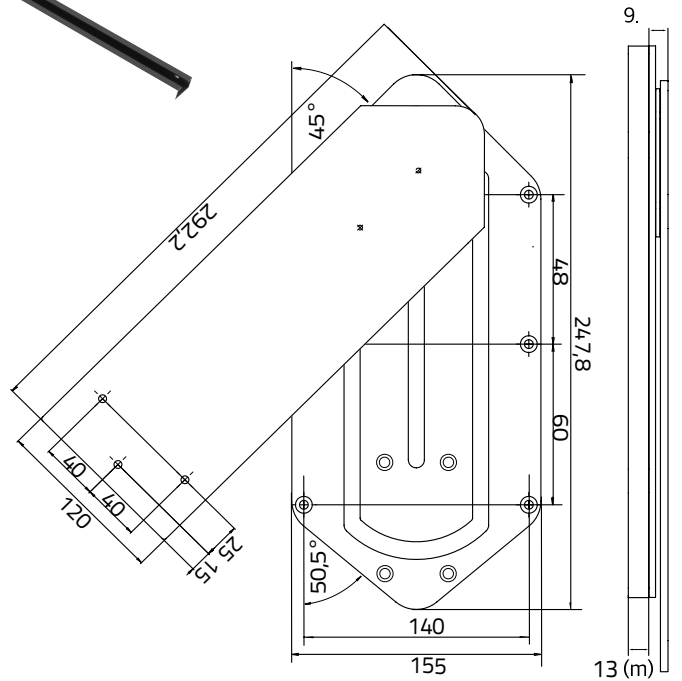
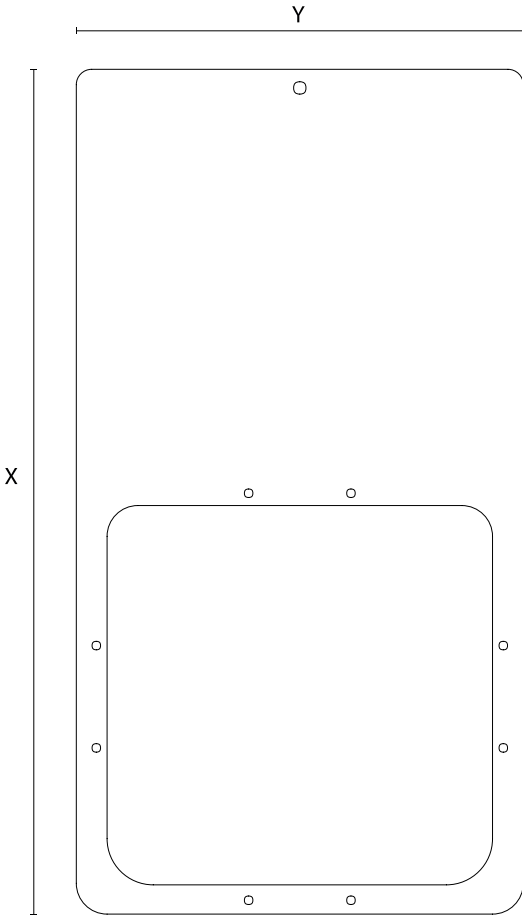
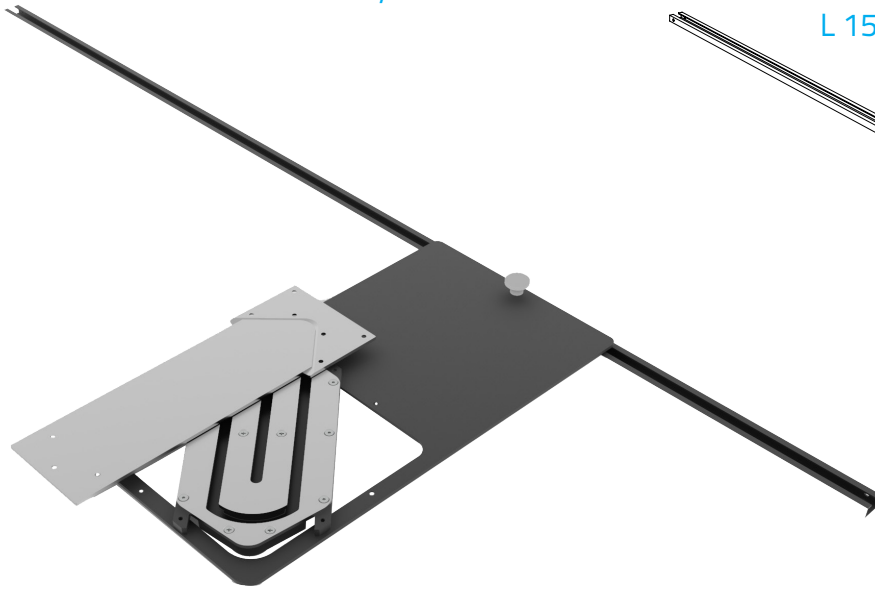
Width of rotating parts (w)	360-460 mm
Minimum furniture thickness (t)	18 mm
Milling depth for installation (m)	13 mm
Required clearing distance (s)	$s = 0,5 \times w$
Gap between furniture parts (g)	9.3 mm
Weight	2.3 Kg

# Sliding & Rotation System

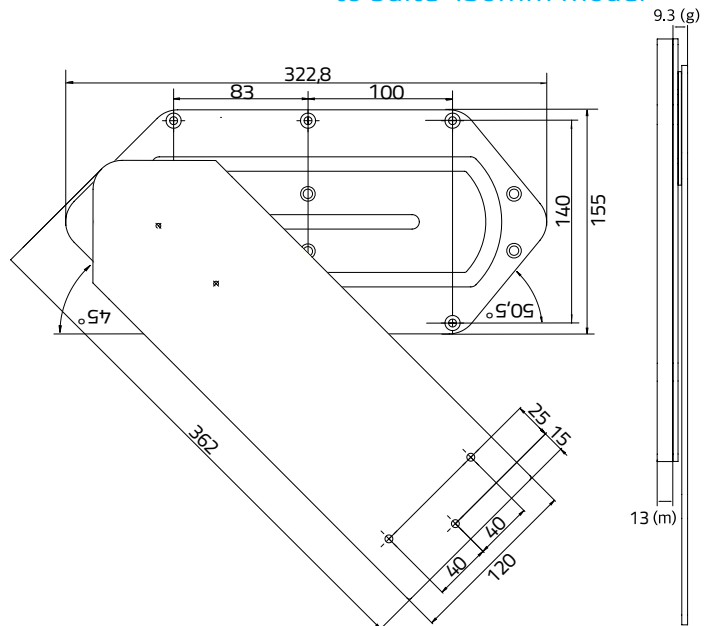
## Technical & Dimensional Information

Mechanism - Main Body & Slider Rail

Slider Rail - W28mm, H15mm, L 1500mm or 2000mm



BACM3040 - Main Body top and side view to suite 450mm model

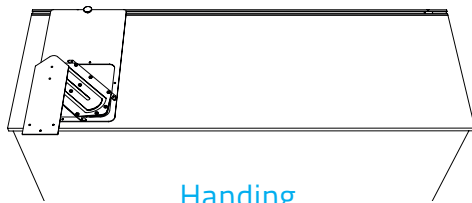
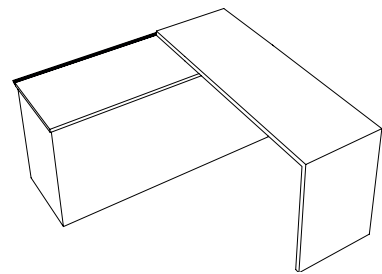
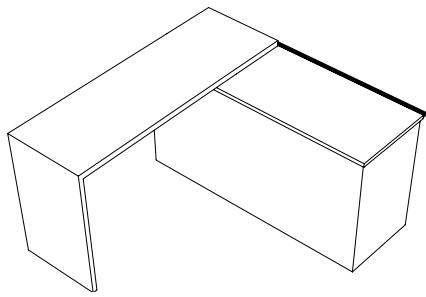
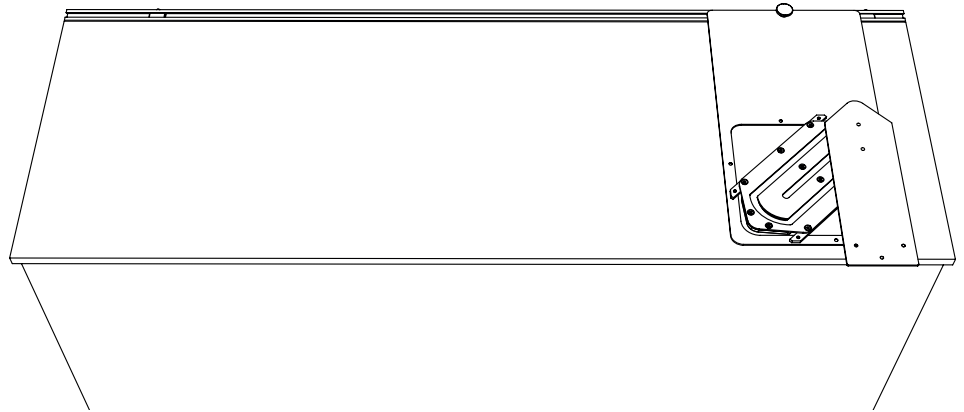


BACM4070 Range - Main Body top and side view to suite 550, 600, 650, 700mm model

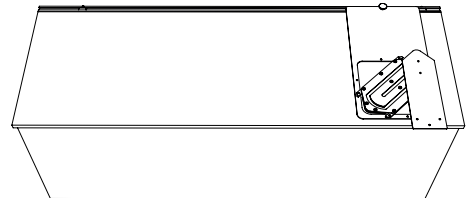
Model	X (mm)	Y (mm)
450	44.6	237.5
550	54.9	290.5
600	57.4	290.5
650	59.9	290.5
700	62.4	290.5

## Sliding & Rotation System Technical & Dimensional Information

### Main Body & Slider Rail Position

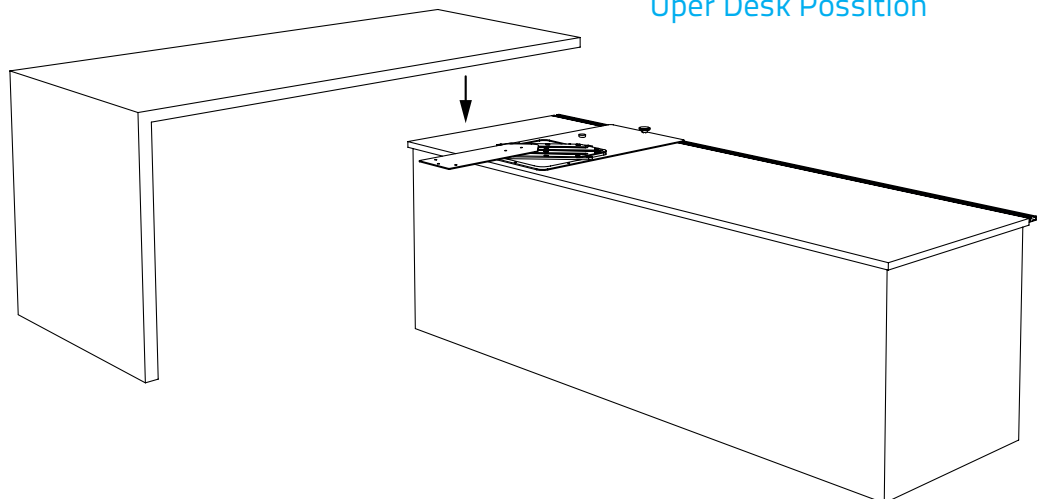


Handing  
left opening



Handing  
right opening

### Uper Desk Position



## ROTO Rotataion System

### Technical & Dimensional Information

Roto Availability Q4 2023

MAKE YOUR SPACE WORK FOR YOU  
BY INCORPORATING CASETUR INTO  
YOUR WORLD.



Stocked locally, by Bellevue Architectural.  
Casetur products, making the full use of space.

casetur  
MECHANISM

# casetur

**MECHANISM**



**Bellevue Architectural**  
954 Glen Huntly Road  
Caulfield South Vic 3162

PH: (03) 9571 5666  
Info@bellevuearch.com.au  
www.bellevuearch.com.au