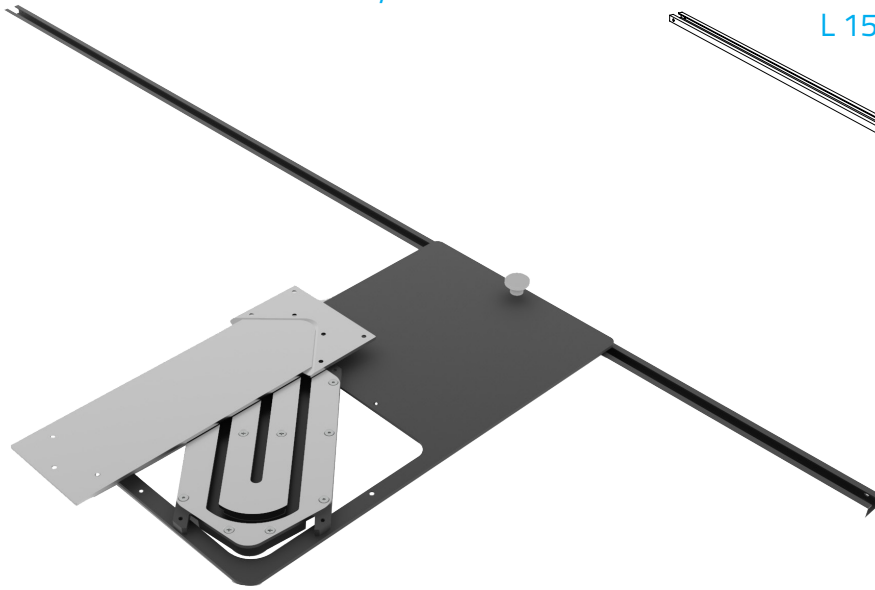


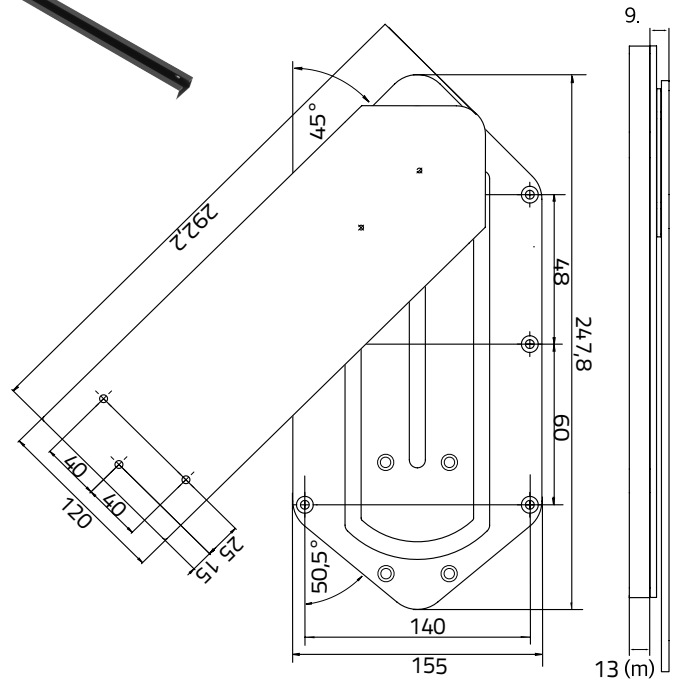
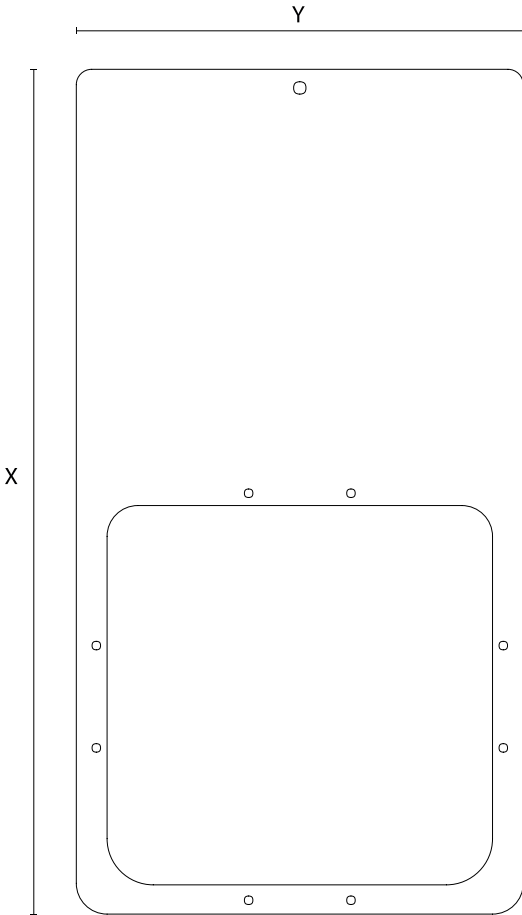
Sliding & Rotation System

Technical & Dimensional Information

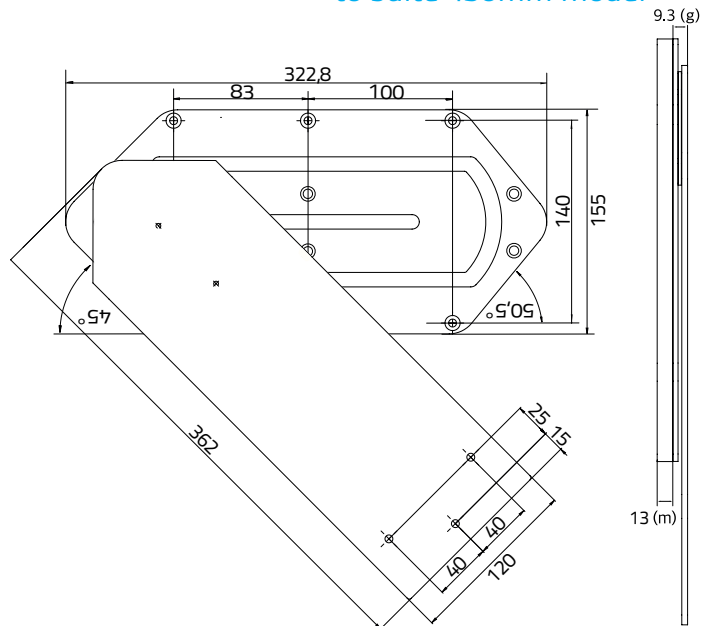
Mechanism - Main Body & Slider Rail



Slider Rail - W28mm, H15mm, L 1500mm or 2000mm



BACM3040 - Main Body top and side view to suite 450mm model

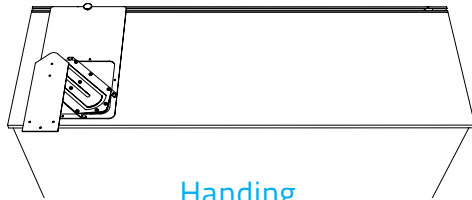
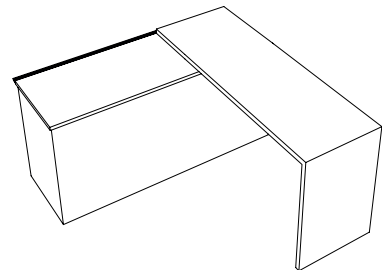
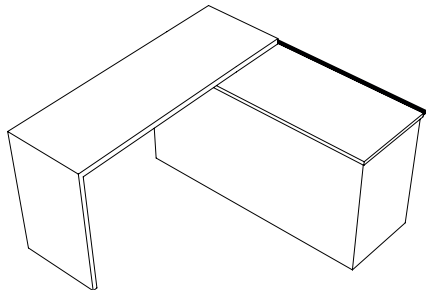


BACM4070 Range - Main Body top and side view to suite 550, 600, 650, 700mm model

Model	X (mm)	Y (mm)
450	44.6	237.5
550	54.9	290.5
600	57.4	290.5
650	59.9	290.5
700	62.4	290.5

Sliding & Rotation System Technical & Dimensional Information

Main Body & Slider Rail Position



Handing
left opening



Handing
right opening

Upper Desk Position

