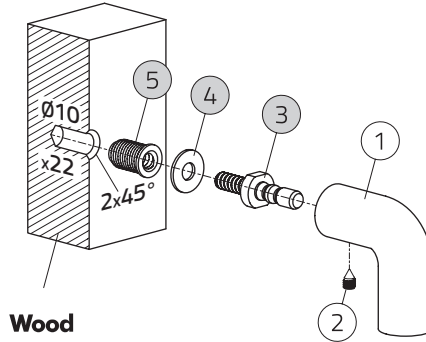


FIXING FOR PULL HANDLES

FIXING FOR PULL HANDLES WITHOUT ROSE

- 1. Pull Handle 1x
- 2. M6 Dowel 2x

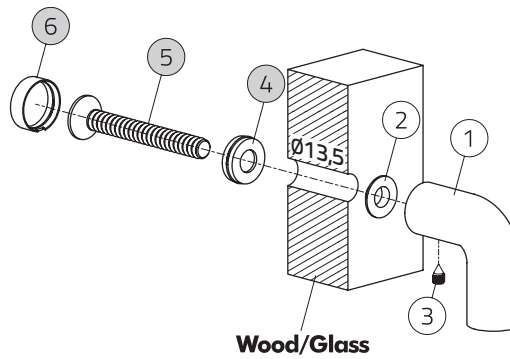
- Fixing:**
- 3. M8x22mm tie-rod 2x
 - 4. Nylon Washer 2x
 - 5. M8 Bush 2x



Code Article	FS00
Description	Fixing for single pull handle without rosette: on a wooden door minimum thickness 30mm
Specifications	Blind fixing

- 1. Pull Handle 1x
- 2. Centering washer 2x
- 3. M6 Dowel 2x

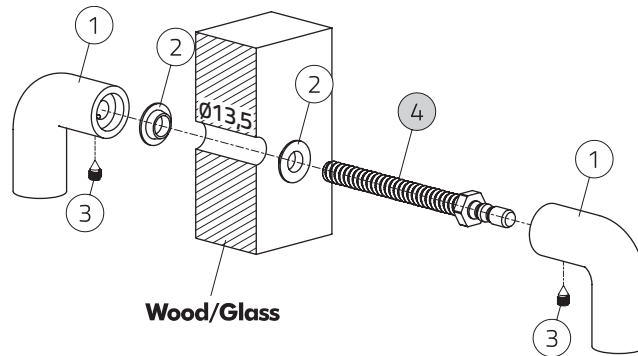
- Fixing:**
- 4. Flared Nylon Detail 2x
 - 5. M10x80mm 2x
 - 6. Brass cap 1x



Code Article	FR02
Description	Fixing for single pull handle without rosette: on a wooden door maximum thickness 60mm, on glass door minimum thickness 5mm
Specifications	Bolt-through fixing

- 1. Pull handle 2 Pz.
- 2. Centering washer 4 Pz.
- 3. M6 dowel 4 Pz.

- Fixing:**
- 4. M10x90mm or M10x130mm tie-rod 2 Pz.



Code Article	FR03
Description	Fixing for set of back to back pull handles without rosettes: on a wooden door maximum thickness 70mm, on glass door minimum thickness 5mm
Specifications	Bolt-through fixing