



BELLEVUE
ARCHITECTURAL

GHOSTOP

Architectural Magnetic Door Stops
Made in the USA

Zero-Clearance Magnetic Jamb & Door Stop



+61 (0) 3 9571 5666



www.bellevuearch.com.au



info@bellevuearch.com.au



[instagram.com/
bellevue_architectural](https://www.instagram.com/bellevue_architectural)

About Ghostop



Bellevue is proud to introduce the Ghostop range of heavy duty, zero-clearance concealed door stops.

The Ghostop system eliminates the need for traditional floor mounted door stops that interrupt the visual flow of a space and can damage flooring surfaces. Instead, Ghostop provides a hidden zero-clearance solution that protects walls and finishes while preserving the clean architectural lines of the interior.

Through its unique engineered design, Ghostop controls door movement with a single direction stopping action. Once engaged, the mechanism prevents the door from swinging beyond the strike point, effectively stopping the door before it can impact the wall. This intelligent design provides a more reliable solution than many conventional zero-clearance door stops while maintaining a hidden appearance when the stop is engaged.

Ghostop is particularly well suited to pivot doors and doors closing into jambs without traditional door stops, where a controlled stopping point is required within the frame itself. When the door is closed, the system remains entirely concealed within the door and frame, ensuring that the architectural intent of the space remains uncompromised.

Manufactured in the USA by Lowe Hardware from durable, maintenance free materials, Ghostop is engineered as a high performance piece of architectural door hardware designed for long-term reliability in both residential and commercial environments. Each Ghostop unit is backed by a two-year manufacturer's warranty.

Index

Used for single action doors (doors that swing in one direction)

Which model is right for my door?	4
BAGS200 Fitted into the jamb for lighter doors	5
BAGS200XD Fitted into the jamb for heavier doors	6
BAGS300 Flush floor or ceiling mounted for lighter doors	7
BAGS300XD Flush floor or ceiling mounted for heavier doors	8
BAGS300XL Flush floor or ceiling mounted for doors with up to 32mm undercut	9

Strike Assembly Kits (Spare Parts)

BAGS2X Strike Assembly for Rectangular stops	10
BAGS3X Strike Assembly for Round stops	10

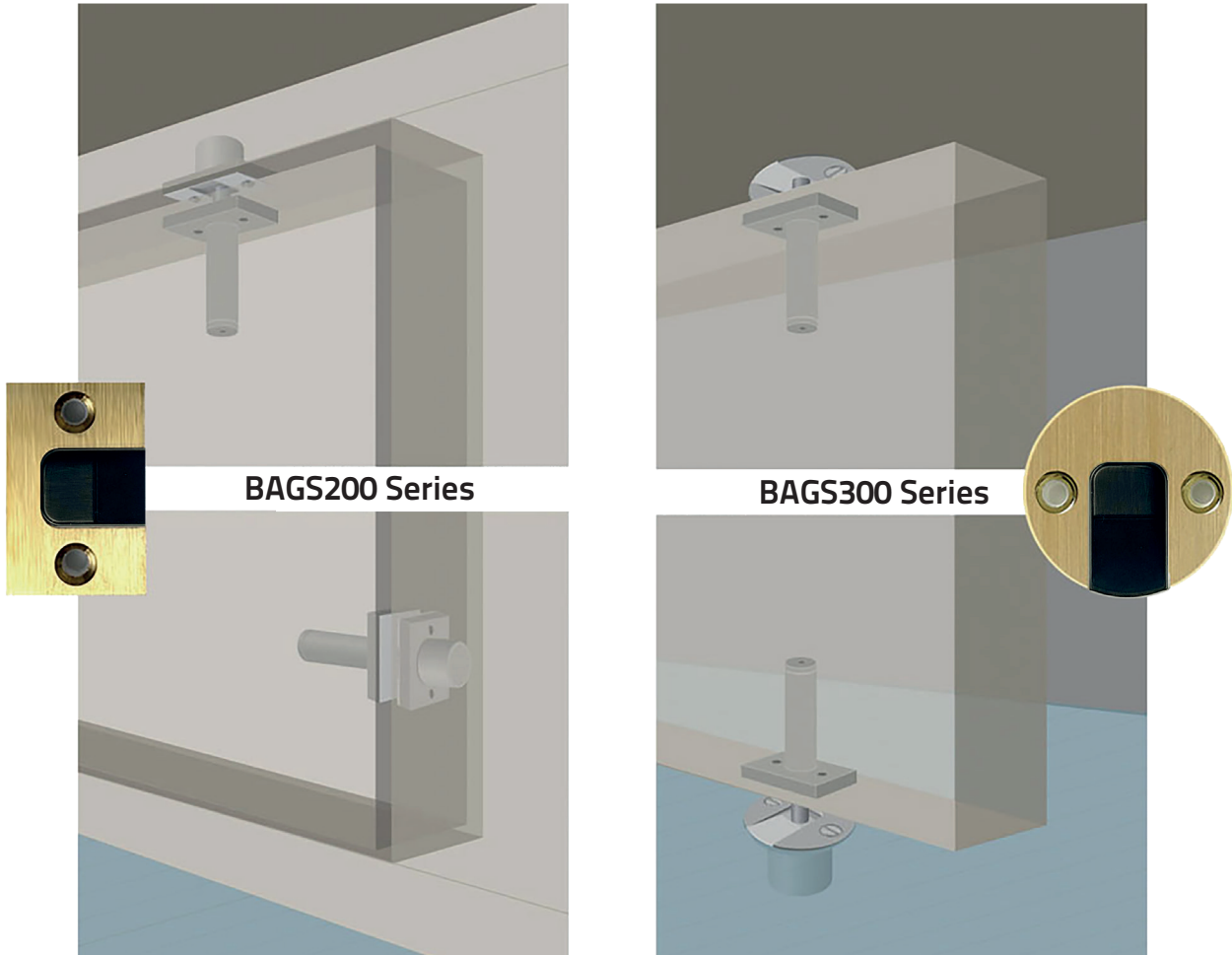
About Bellevue Architectural	11
------------------------------	----



Which model is right for my door?

The Ghostop range currently offers five different solutions.

The primary differences between the models lie in the design of the strike plates and their installation location; either within the door jamb or in the floor or ceiling.



Series BAGS200

Models BAGS200 and BAGS200XD both feature rectangular strike plates and are engineered for use as a no-profile positive built stop for doors. The rectangular shape allows it to be mounted inconspicuously in the head or side jambs of framed openings and aligned with the frames edges. It can also work wonders in the surface of a wall to provide a positive stop for a pivot door in its closed position. Our customers have come up with many innovative uses for the BAGS200 Series.

Series BAGS300

Models BAGS300, BAGS300XD, and BAGS300XL feature a round strike plate and are engineered for use as a zero-clearance door stop for any door. The more forgiving circular shape allows it to be mounted at any angle, irrespective of wall alignment in the path of the door. It can be used in ceilings as well as floors. Sometimes, a second strike assembly kit, sold separately, is utilised to provide control in both the open and closed positions.

The proprietary Ramped Strike for all these models eases the pin in - faster than the blink of an eye - which makes releasing the door again smooth and natural, without having to jerk it back. The soft hold and soft release makes using Ghostop a pleasure.

Ghostop BAGS200

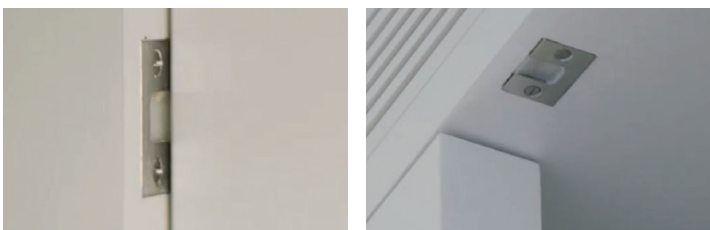
Jamb Mounted

FEATURES :

The Ghostop BAGS200 provides a positive stop in the side or head jambs where visual alignment with a wall or a frame edge is preferred for lighter swing and pivot doors (< 90Kg).

For heavier doors or high-traffic openings, consider specifying the BAGS200XD. - Pg 6.

Note: the BAGS200 features a spring-loaded Delrin® pin that deploys upon approaching the magnetic strike producing an easily released soft hold.



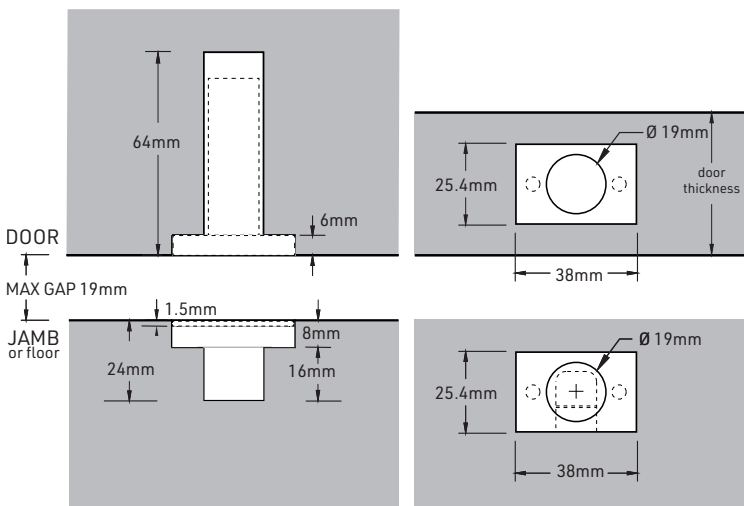
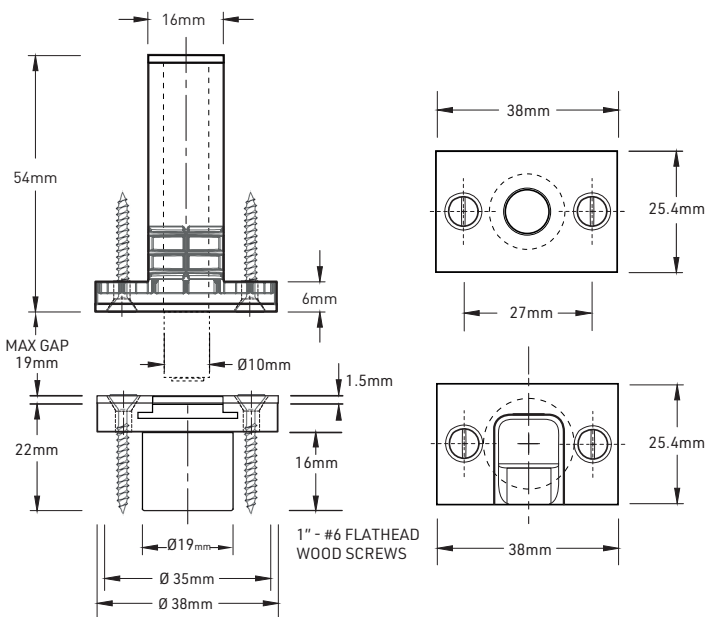
- Spring-loaded retracting Delrin® pin
- Maximum door /jamb gap: 19mm
- High-density Delrin® pin assembly
- Series 316 marine-grade stainless steel spring
- Rectangular Pin Assembly cover in stainless steel
- Proprietary graduated recess (the Delrin® ramp)
- Concealed neodymium magnet
- Includes wood screws finished to match
- Maintenance free

ORDER CODES :

	BAGS200-SS-B BAGS200-SS-W	Satin Stainless Steel w/ black or white Delrin® ramp-strike
	BAGS200-DBZ-B BAGS200-DBZ-W	Dark Bronze (powder coat) w/ black or white Delrin® ramp-strike
	BAGS200-BLK-B BAGS200-BLK-W	Matt Black (powder coat) w/ black or white Delrin® ramp-strike
	BAGS200-WHT-B BAGS200-WHT-W	Matt White (powder coat) w/ black or white Delrin® ramp-strike
	BAGS200-SN-B BAGS200-SN-W	Satin Nickel w/ black or white Delrin® ramp-strike
	BAGS200-PN-B BAGS200-PN-W	Polished Nickel w/ black or white Delrin® ramp-strike
	BAGS200-CR-B BAGS200-CR-W	Polished Chrome w/ black or white Delrin® ramp-strike
	BAGS200-PB-B BAGS200-PB-W	Polished Brass w/ black or white Delrin® ramp-strike
	BAGS200-SB-B BAGS200-SB-W	Satin Brass w/ black or white Delrin® ramp-strike

INSTALLATION :

- Install Pin Assembly in the side or jamb of door at the desired location, ~19.5mm distance to the latch side
- NOTE : The Pin Assembly bore MUST BE thoroughly cleaned out to ensure proper operation
- Install rectangular strike plate in jamb, or other surface, the ramp centered with Pin Assembly
- Align the strike plate ramp with the pin assembly on the door swing prior to fixing the cover plate screws



Ghostop BAGS200XD

Jamb Mounted

FEATURES :

The Ghostop BAGS200XD provides a positive stop in the side or head jambs for heavier swing and pivot doors, where visual alignment with a wall or a frame edge is preferred.

The ramp integrated in the strike makes for smooth opening of larger doors, closets, and cabinets.

The BAGS200XD features a spring-loaded stainless steel pin that deploys upon approaching the magnetic strike producing an easily released soft hold.

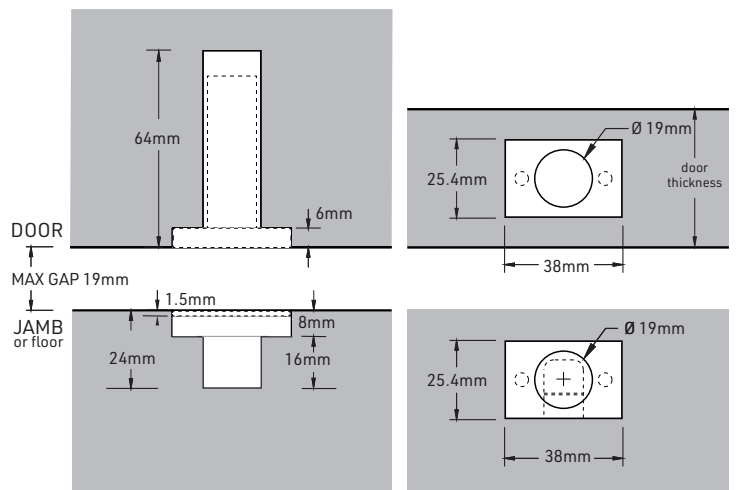
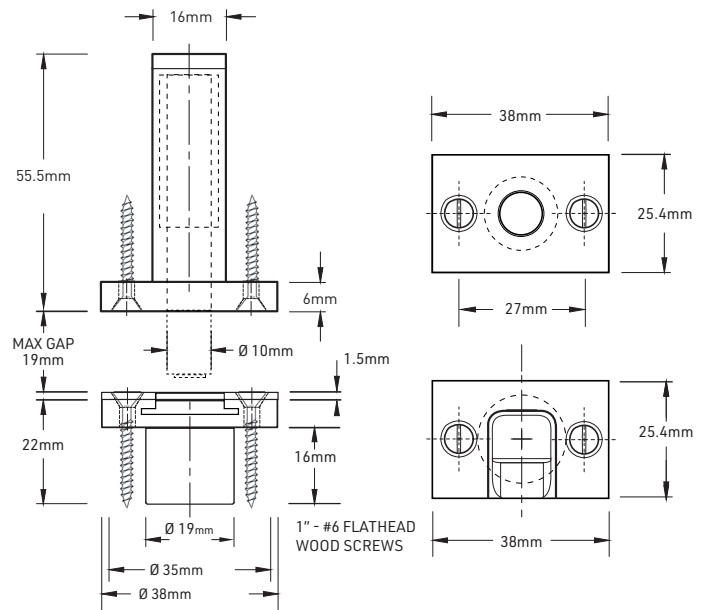
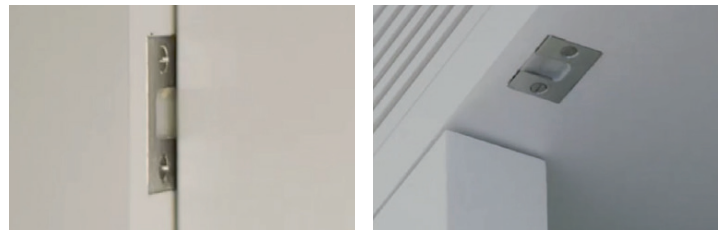
- Spring-loaded retracting stainless steel pin
- Maximum door/jamb gap: 19mm
- Solid milled brass pin assembly
- Series 316 marine-grade stainless steel spring
- Rectangular Pin Assembly cover in stainless steel
- Proprietary graduated recess (the Delrin® ramp)
- Concealed neodymium magnet
- Includes wood screws finished to match
- Maintenance-free

ORDER CODES :

	BAGS200XD-SS-B	Satin Stainless Steel
	BAGS200XD-SS-W	w/ black or white Delrin® ramp-strike
	BAGS200XD-DBZ-B	Dark Bronze (powder coat)
	BAGS200XD-DBZ-W	w/ black or white Delrin® ramp-strike
	BAGS200XD-BLK-B	Matt Black (powder coat)
	BAGS200XD-BLK-W	w/ black or white Delrin® ramp-strike
	BAGS200XD-WHT-B	Matt White (powder coat)
	BAGS200XD-WHT-W	w/ black or white Delrin® ramp-strike
	BAGS200XD-SN-B	Satin Nickel
	BAGS200XD-SN-W	w/ black or white Delrin® ramp-strike
	BAGS200XD-PN-B	Polished Nickel
	BAGS200XD-PN-W	w/ black or white Delrin® ramp-strike
	BAGS200XD-CR-B	Polished Chrome
	BAGS200XD-CR-W	w/ black or white Delrin® ramp-strike
	BAGS200XD-PB-B	Polished Brass
	BAGS200XD-PB-W	w/ black or white Delrin® ramp-strike
	BAGS200XD-SB-B	Satin Brass
	BAGS200XD-SB-W	w/ black or white Delrin® ramp-strike

INSTALLATION :

- Install Pin Assembly in the side or jamb of door at the desired location, ~19.5mm distance to the latch side
- NOTE : The Pin Assembly bore MUST BE thoroughly cleaned out to ensure proper operation
- Install rectangular strike plate in jamb, or other surface, the ramp centered with Pin Assembly
- Align the strike plate ramp with the pin assembly on the door swing prior to fixing the cover plate screws



Ghostop BAGS300

Floor or Ceiling Mounted

FEATURES :

The Ghostop BAGS300 was developed to provide a flush to the floor or ceiling door stop solution, for lighter swing and pivot doors (< 90Kg).





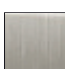
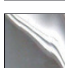

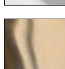
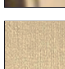
For heavier doors or high-traffic openings, consider specifying the BAGS300XD. - Pg 8.

Note: the BAGS300 features a spring-loaded Delrin® pin that deploys upon approaching the magnetic strike producing an easily released soft hold.



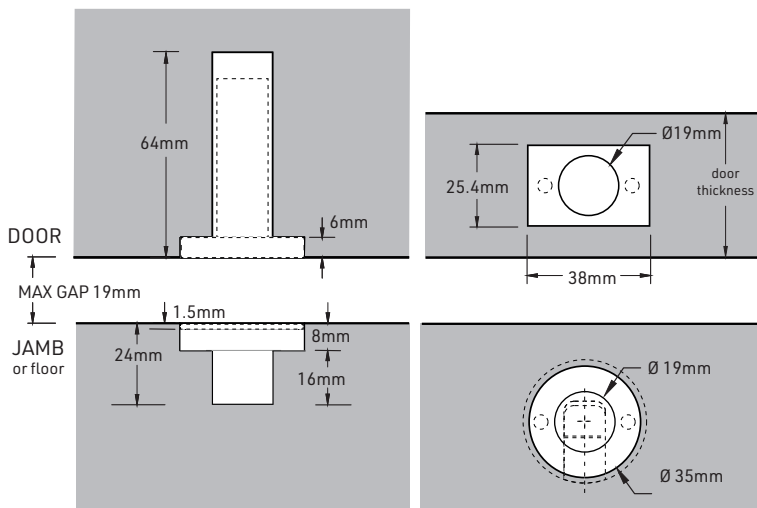
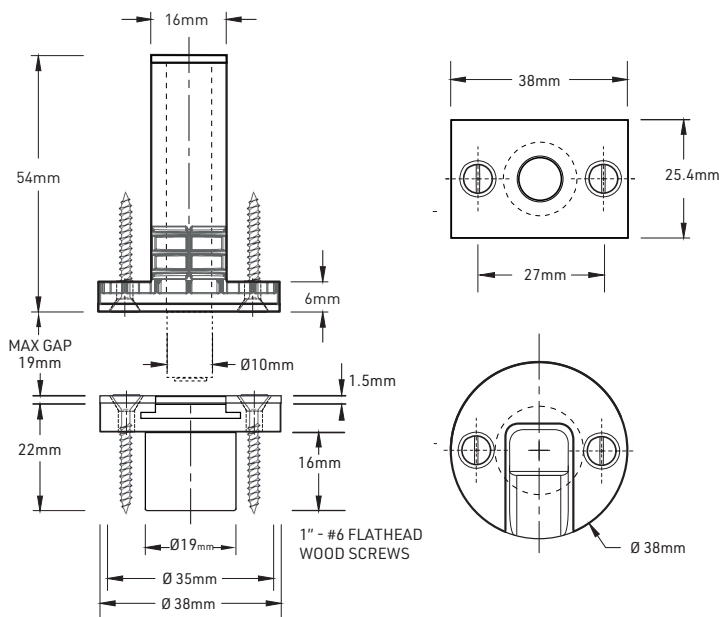
- Zero-Clearance Solution, no trip hazard
- Spring-loaded retracting Delrin® pin
- Maximum door undercut : 19mm
- High-density Delrin® pin assembly
- Series 316 marine-grade stainless steel spring
- Round Pin Assembly cover in stainless steel
- Proprietary graduated recess (the Delrin® ramp)
- Concealed neodymium magnet
- Includes wood screws finished to match
- Maintenance free

ORDER CODES :

	BAGS300-SS-B BAGS300-SS-W	Satin Stainless Steel w/ black or white Delrin® ramp-strike
	BAGS300-DBZ-B BAGS300-DBZ-W	Dark Bronze (powder coat) w/ black or white Delrin® ramp-strike
	BAGS300-BLK-B BAGS300-BLK-W	Matt Black (powder coat) w/ black or white Delrin® ramp-strike
	BAGS300-WHT-B BAGS300-WHT-W	Matt White (powder coat) w/ black or white Delrin® ramp-strike
	BAGS300-SN-B BAGS300-SN-W	Satin Nickel w/ black or white Delrin® ramp-strike
	BAGS300-PN-B BAGS300-PN-W	Polished Nickel w/ black or white Delrin® ramp-strike
	BAGS300-CR-B BAGS300-CR-W	Polished Chrome w/ black or white Delrin® ramp-strike
	BAGS300-PB-B BAGS300-PB-W	Polished Brass w/ black or white Delrin® ramp-strike
	BAGS300-SB-B BAGS300-SB-W	Satin Brass w/ black or white Delrin® ramp-strike

INSTALLATION :

- Install Pin Assembly in top or bottom of door at the desired location, ~19.5mm distance to the latch side
- NOTE : The Pin Assembly bore MUST BE thoroughly cleaned out to ensure proper operation
- Install circular strike plate in the floor, ceiling, or other surface, the ramp centered with Pin Assembly
- Align the strike plate ramp with the pin assembly on the door swing prior to fixing the cover plate screws



Ghostop BAGS300XD

Floor or Ceiling Mounted

FEATURES :

The Ghostop BAGS300XD was developed to provide a flush to the floor or ceiling door stop solution for heavier and higher traffic doors.

It features a spring loaded stainless steel pin that deploys immediately upon its approach to the ramped magnetic strike, producing an easily released soft hold on the door.

- Zero Clearance Solution, no trip hazard
- Spring-loaded retracting stainless steel pin
- Maximum door undercut : 19mm
- Solid milled brass pin assembly
- Series 316 marine-grade stainless steel spring
- Round Pin Assembly cover in stainless steel
- Proprietary graduated recess (the Delrin® ramp)
- Concealed neodymium magnet
- Includes wood screws finished to match
- Maintenance free

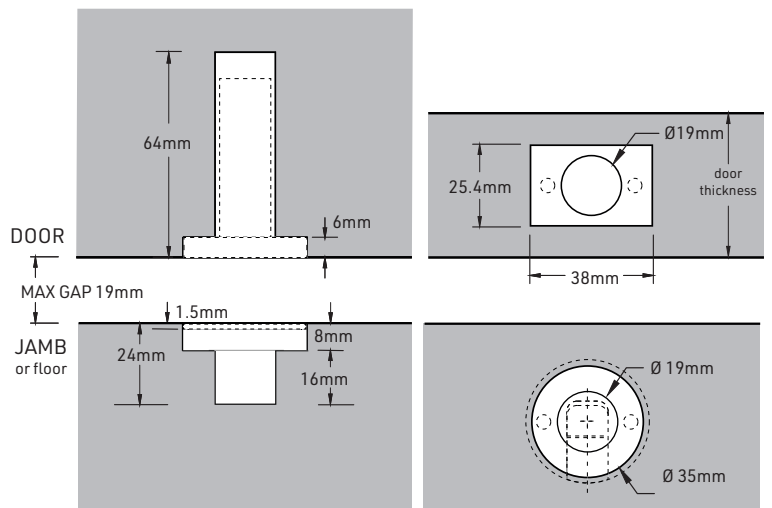
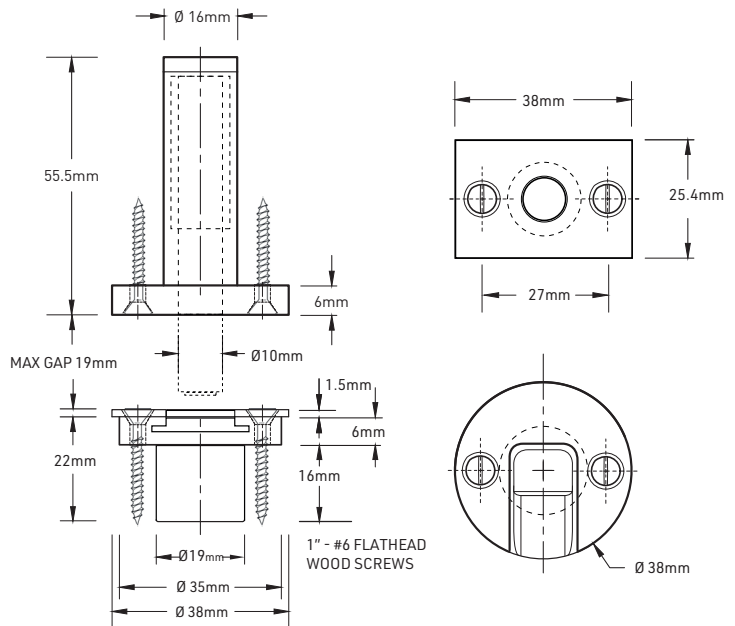


ORDER CODES :

	BAGS300XD-SS-B	Satin Stainless Steel
	BAGS300XD-SS-W	w/ black or white Delrin® ramp-strike
	BAGS300XD-DBZ-B	Dark Bronze (powder coat)
	BAGS300XD-DBZ-W	w/ black or white Delrin® ramp-strike
	BAGS300XD-BLK-B	Matt Black (powder coat)
	BAGS300XD-BLK-W	w/ black or white Delrin® ramp-strike
	BAGS300XD-WHT-B	Matt White (powder coat)
	BAGS300XD-WHT-W	w/ black or white Delrin® ramp-strike
	BAGS300XD-SN-B	Satin Nickel
	BAGS300XD-SN-W	w/ black or white Delrin® ramp-strike
	BAGS300XD-PN-B	Polished Nickel
	BAGS300XD-PN-W	w/ black or white Delrin® ramp-strike
	BAGS300XD-CR-B	Polished Chrome
	BAGS300XD-CR-W	w/ black or white Delrin® ramp-strike
	BAGS300XD-PB-B	Polished Brass
	BAGS300XD-PB-W	w/ black or white Delrin® ramp-strike
	BAGS300XD-SB-B	Satin Brass
	BAGS300XD-SB-W	w/ black or white Delrin® ramp-strike

INSTALLATION :

- Install Pin Assembly in top or bottom of door at the desired location, ~19.5mm distance to the latch side
- NOTE : The Pin Assembly bore MUST BE thoroughly cleaned out to ensure proper operation
- Install rectangular strike plate in floor, ceiling, or other surface, the ramp centered with Pin Assembly
- Align the strike plate ramp with the pin assembly on the door swing prior to fixing the cover plate screws



Ghostop BAGS300XL

Doors with Larger Undercuts



FEATURES :

The Ghostop BAGS300XL was developed to provide a flush-to-the floor (or ceiling) door stop for heavier doors with undercuts up to 32mm.

The larger magnet (34 Kg of force) activates the longer spring-loaded stainless steel pin that deploys immediately upon its approach to the ramped magnetic strike, producing an easily released soft hold on the door.

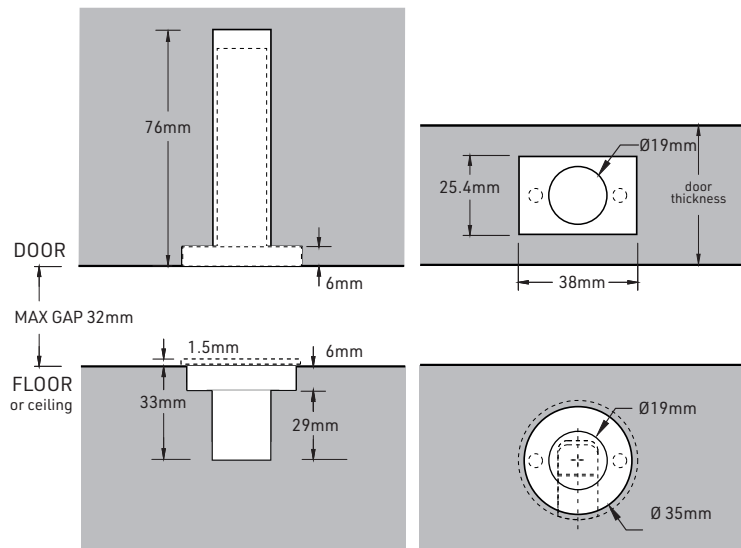
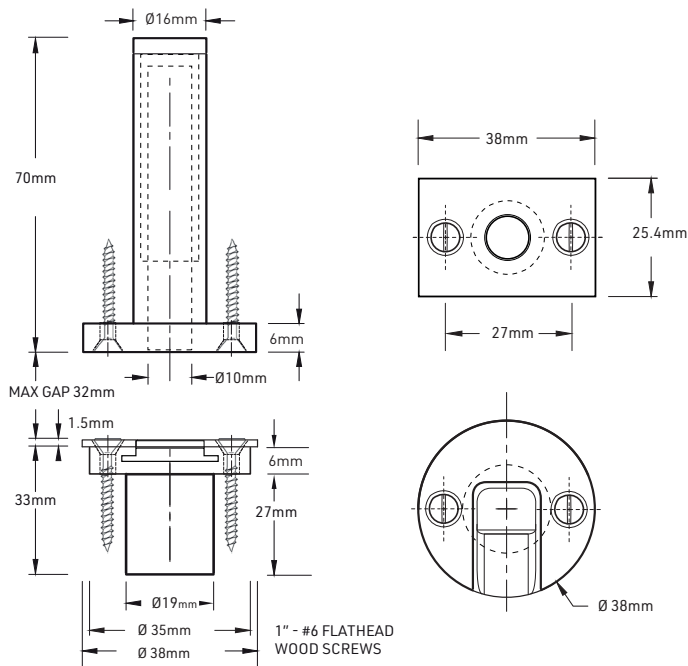
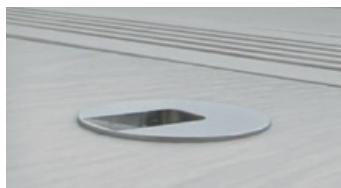
- Zero Clearance Solution, no trip hazard
- Spring-loaded retracting stainless steel pin
- Maximum door undercut: 32mm
- Solid milled brass pin assembly
- Series 316 marine-grade stainless steel spring
- Round Pin Assembly cover in stainless steel
- Proprietary graduated recess (the Delrin® ramp)
- Concealed neodymium magnet
- Includes wood screws finished to match
- Maintenance free

ORDER CODES :

	BAGS300XL-SS-B BAGS300XL-SS-W	Satin Stainless Steel w/ black or white Delrin® ramp-strike
	BAGS300XL-DBZ-B BAGS300XL-DBZ-W	Dark Bronze (powder coat) w/ black or white Delrin® ramp-strike
	BAGS300XL-BLK-B BAGS300XL-BLK-W	Matt Black (powder coat) w/ black or white Delrin® ramp-strike
	BAGS300XL-WHT-B BAGS300XL-WHT-W	Matt White (powder coat) w/ black or white Delrin® ramp-strike
	BAGS300XL-SN-B BAGS300XL-SN-W	Satin Nickel w/ black or white Delrin® ramp-strike
	BAGS300XL-PN-B BAGS300XL-PN-W	Polished Nickel w/ black or white Delrin® ramp-strike
	BAGS300XL-CR-B BAGS300XL-CR-W	Polished Chrome w/ black or white Delrin® ramp-strike
	BAGS300XL-PB-B BAGS300XL-PB-W	Polished Brass w/ black or white Delrin® ramp-strike
	BAGS300XL-SB-B BAGS300XL-SB-W	Satin Brass w/ black or white Delrin® ramp-strike

INSTALLATION :

- Install Pin Assembly in top or bottom of door at the desired location, ~19.5mm distance to the latch side
- NOTE : The Pin Assembly bore MUST BE thoroughly cleaned out to ensure proper operation
- Install rectangular strike plate in floor, ceiling, or other surface, the ramp centered with Pin Assembly
- Align the strike plate ramp with the pin assembly on the door swing prior to fixing the cover plate screws



Striker Assembly Kits for Ghostop Rectangular and Round

Ghostop Strike Assembly Kits

Ghostop is concealed and virtually invisible to the eye. Ghostop's unique mechanical action uses a spring loaded retracting pin powered by stainless steel springs and a rare-earth magnet to connect with a strike plate for a strong stop, and smooth release hold.

TECHNICAL INFORMATION

- BAGS200/BAGS200XD : Rectangular Strike Assembly
- BAGS300/BAGS300XD/BAGS300XL : Round Strike Assembly
- All models include a cover plate in requested finish
- Proprietary Delrin® ramp with concealed neodymium magnet
- Includes wood screws finished to match
- Maintenance free

PAIRS WITH

- BAGS2X : rectangular strike assembly BAGS200 / BAGS200XD
- BAGS3X : round strike assembly BAGS300 /BAGS300XD/ BAGS300XL

EXTRA STRIKE ASSEMBLY KITS

To create a stop in both open and closed positions, an additional Strike Assembly Kit can be purchased.

Includes: rectangular or round strike cover plate, the Delrin® ramped strike, magnet, and fasteners.



SS : Satin Stainless Steel w/black or white Delrin® ramp-strike



DBZ : Dark Bronze (powder coat) w/black or white Delrin® ramp-strike



BLK : Matt Black (powder coat) w/black or white Delrin® ramp-strike



WHT : Matt White (powder coat) w/black or white Delrin® ramp-strike



SN : Satin Nickel w/black or white Delrin® ramp-strike



PN : Polished Nickel w/black or white Delrin® ramp-strike



CR : Polished Chrome w/black or white Delrin® ramp-strike



PB : Polished Brass Unlacquered w/black or white Delrin® ramp-strike



SB : Satin Brass Unlacquered w/black or white Delrin® ramp-strike

	BAGS200/XD	BAGS300/XD	FINISH
	BAGS2X-SS-B BAGS2X-SS-W	BAGS3X-SS-B BAGS3X-SS-W	Satin Stainless Steel w/black Delrin® ramp-strike Satin Stainless Steel w/white Delrin® ramp-strike
	BAGS2X-DBZ-B BAGS2X-DBZ-W	BAGS3X-DBZ-B BAGS3X-DBZ-W	Dark Bronze PC w/black Delrin® ramp-strike Dark Bronze PC w/white Delrin® ramp-strike
	BAGS2X-BLK-B BAGS2X-BLK-W	BAGS3X-BLK-B BAGS3X-BLK-W	Matt Black PC w/black Delrin® ramp-strike Matt Black PC w/white Delrin® ramp-strike
	BAGS2X-WHT-B BAGS2X-WHT-W	BAGS3X-WHT-B BAGS3X-WHT-W	Matt White PC w/black Delrin® ramp-strike Matt White PC w/white Delrin® ramp-strike
	BAGS2X-SN-B BAGS2X-SN-W	BAGS3X-SN-B BAGS3X-SN-W	Satin Nickel w/black Delrin® ramp-strike Satin Nickel w/white Delrin® ramp-strike
	BAGS2X-PN-B BAGS2X-PN-W	BAGS3X-PN-B BAGS3X-PN-W	Polished Nickel w/black Delrin® ramp-strike Polished Nickel w/white Delrin® ramp-strike
	BAGS2X-CR-B BAGS2X-CR-W	BAGS3X-CR-B BAGS3X-CR-W	Polished Chrome w/black Delrin® ramp-strike Polished Chrome w/white Delrin® ramp-strike
	BAGS2X-PB-B BAGS2X-PB-W	BAGS3X-PB-B BAGS3X-PB-W	Polished Brass w/black Delrin® ramp-strike Polished Brass w/white Delrin® ramp-strike
	BAGS2X-SB-B BAGS2X-SB-W	BAGS3X-SB-B BAGS3X-SB-W	Satin Brass w/black Delrin® ramp-strike Satin Brass w/white Delrin® ramp-strike

BELLEVUE

ARCHITECTURAL

Since 1984, the name Bellevue Architectural has been synonymous with supplying high quality, artisan crafted architectural hardware that combines refined design, practical functionality and lasting durability. For more than four decades, Bellevue has worked closely with leading international manufacturers from Italy, Spain, Germany, The Netherlands, and Japan to introduce distinctive products that elevate architectural spaces while maintaining the performance and reliability demanded by modern construction.

Bellevue Architectural products have been specified and installed in projects throughout Australia and New Zealand, ranging from private residences to large-scale commercial developments. Each product we represent is designed and manufactured by specialists within the architectural hardware industry, who understand that exceptional design and uncompromising quality are essential to creating environments that are functional and visually refined.

Lowe Hardware, based in the United States and with over 40 years of manufacturing experience, is recognised internationally for its commitment to engineering innovation, thoughtful design and dependable product quality. Their products are developed specifically to meet the demands of modern architectural design where both aesthetics and performance are critical.

The Ghostop range is available throughout Australia and New Zealand through Bellevue Architectural's established distribution network. Bellevue Architectural welcomes enquiries from architects, designers, builders and hardware resellers interested in incorporating Ghostop into their projects.

For a complete list of authorised resellers and more detailed information:

W: bellevuearch.com.au

E: info@bellevuearch.com.au

Ph: +61 (0) 3 9571 5666

Bellevue Architectural
954 Glen Huntly Road
Caulfield South Vic 3162

Ph: +61 (0) 3 9571 5666
info@bellevuearch.com.au
www.bellevuearch.com.au

*Please note that all images in this document are used for illustrative purposes only.
Product specifications are subject to change without notice.